



EATON

Powering Business Worldwide

BACKED BY
Roadranger
SUPPORT

Distribution Centers

Coquitlam
British
Columbia

Mount Pearl
Newfoundland

Quebec City
Quebec

Winnipeg
Manitoba

Kenosha
Wisconsin

Portland
Oregon

**CAPITAL
GEAR**
Drivetrain Specialists

Remanufacturing & Distribution Centers

Edmonton
Alberta

Mississauga
Ontario
- Steering -

Mississauga
Ontario
- Powertrain -

Moncton
New
Brunswick

WE ARE YOUR ONE-STOP DRIVELINE SOURCE SOLUTION! | CAPITALGEAR.CA

This page intentionally left blank.

Table of Contents

Service Kits and Parts Index	3
OEM and Engine Specific Kits	6
Clutch Housing Service Kits	15
Main Housing Service Kits.....	30
Rear Housing Service Kits and Parts.....	53
Part Number Identification.....	61

Service Kits and Parts Index

OEM and Engine Specific Kits

DESCRIPTION	PART NO.	PAGE
Clutch Service Kits		6
Release Bearing Assembly, ISO	A-10004340	6
Release Bearing Assembly, SAE	EAHDA-10004341	6
Input Shaft Kits		7
Input Shaft Kit, ISO	EAHDK-4659	7
Main Shaft Welded Gear Assembly Splitter	EAHDS-3206	8
Splitter Synchronizer Ring	EAHD10002550	8
Sliding Sleeve	EAHD10001942	8
Input Shaft Bearing O-Ring	EAHD10003862	9
Input Shaft Ball Bearing	EAHD10004584	9
External Snap Ring	EAHD10000624	9
Synchronizer Roller	EAHD10001959	10
Synchronizer Plunger	EAHD10001711	10
Comp Spring	EAHD10001710	10
Input Shaft Kit, SAE	EAHDK-4660	11
Input Shaft Kit	EAHDK-4661	12
Main Drive Gear Assembly, Welded	EAHDA-10000902	13
Bearing Sleeve	EAHD10000605	13
Input Shaft Repair Kit w/o Pilot Bearing	EAHDK-4569	14
Dowel Pin (3 dia x 10)	EAHD10001190	14
Pilot Bearing Journal	EAHD10001335	14

Service Kits and Parts Index

Clutch Housing Service Kits

DESCRIPTION	PART NO.	PAGE
Release Yoke Assembly Kit	EAHDK-4553	15
Release Yoke Pivot Pin	EAHD10001949	15
Clutch Housing Seal Kit	EAHDK-4382	16
Input Shaft Cover Kit (Hard lock bearing design)	EAHDK-4657	17
Hex Screw (M8 x 1.25 x 25)	EAHD10001814	18
Front Bearing Cover Assembly	EAHDA-10004581	18
Oil Seal	EAHD4305625	18
Clutch Housing Front Cover Kit (Hard lock brng.)	EAHDK-4654	19
Upper Counter Shaft Cover (Hard lock brng.)	EAHDA-10004580	20
Inertia Brake Housing Assembly	EAHDA-10004579	20
Inertia Brake Kit	EAHDK-4350	21
Inertia Brake Air Line Assembly	EAHDS-3204	22
Inertia Brake Air Line Swivel Fitting (M10 x 1)	EAHD10001240	22
Inertia Brake Air Line Straight Fitting (M10 x 1)	EAHD10001239	23
Clutch Housing Inspection Cover	EAHD10001202	23
Front Snap Ring Kit	K-4359	23
Input Shaft Bearing Kit	K-4658	24
Rail B Synchronizer Small Parts Kit	EAHDK-4388	25
Counter Shaft Bearing Kit (Hard lock brng.)	EAHDK-4652	26
Counter Shaft Bearing	EAHD10004571	27
Counter Shaft Bearing O-Ring	EAHD5568511	27
Clutch Housing Kit	EAHDK-4653	28
O-Ring	EAHD13834	29

Main Housing Service Kits

DESCRIPTION	PART NO.	PAGE
Transmission Control Module (TCM) Kits		30
Endurant HD 12-Speed Kit	EAHDK-4616	30
Endurant HD 11-Speed Kit	EAHDK-4617	30
Endurant HD 12-Speed CNG Kit	EAHDK-4618	30
TCM M6 Stud (M6 x 50.0)	EAHD5577511	31
Sealant 50 ML	EAHD5564561	31
Lube Pressure Sensor Kit	EAHDK-4387	32
Fluid Pressure Sensor	EAHD10004110	32
Fluid Pressure Sensor Plug (M14 x 1.5)	EAHD4308231	32
Inertia Brake MTM to Main Hsg. O-Ring	EAHD13653	33
Mechatronic Transmission Module (MTM) O-Ring Repair Customer Kit	EAHDK-4637	33
MTM Top Cover Seal	EAHD10005055	34
MTM Air Pressure Sensor	EAHD10005053	35
MTM Kit w/Temp Sensor w/o TCM	EAHDK-4497	36
Linear Clutch Actuator (LCA) Reman Kit	EAHDK-4357R	37
MTM Cap Hex Screw (M10 x 1.5 x 35)	EAHD10001179	38
MTM Cap Splitter Screw (M10 x 1.5 x 38 and M8 x 1.25 x 13)	EAHD10001815	38
Main Housing Kit	K-4646	39
Inertia Brake MTM to Main Hsg. O-Ring	EAHD13653	40
Main Shaft Bearing	EAHD10000683	41
Counter Shaft Bearing O-Ring	EAHD5568511	41
Counter Shaft Bearing Kit (Hard lock brng.)	EAHDK-4652	42
Counter Shaft Bearing	EAHD10004571	43
Counter Shaft Bearing O-Ring	EAHD5568511	43



Distributed by **Capital Gear** | 780.487.1244 | sales@capitalgear.ca

WE ARE YOUR ONE-STOP DRIVELINE SOURCE SOLUTION! | CAPITALGEAR.CA

Service Kits and Parts Index

Main Housing Service Kits

DESCRIPTION	PART NO.	PAGE
Main Shaft Kit	EAHDK-4366	44
Main Shaft Key	EAHD10000560	45
Main Shaft Gear Washer	EAHD10000555	45
Main Shaft Gear Washer	EAHD10001759	45
Main Shaft Gear Washer	EAHD10001760	45
Main Shaft Selective Washer Kit	K-4486	46
Main Shaft Gear (Reverse)	EAHD10000556	47
Main Shaft Sliding Clutch	EAHD10000557	47
Main Shaft Gear (1st)	EAHD10000898	47
Main Shaft Gear (2nd)	EAHD10000899	47
Main Shaft Welded Gear Assembly Splitter	EAHDS-3206	47
Drive Gear – Front Small Parts Kit	EAHDK-4367	48
Wave Spring	EAHD10001685	48
Drive Gear – Rear Small Parts Kit	K-4369	49
Rear Wave Spring	EAHD10000978	49
Upper & Lower Counter Shaft Kit – Single PTO	K-4370	50
Upper Counter Shaft Assembly, Welded	EAHDS-3272	51
External Snap Ring	EAHD10000631	51
Front Inner Race	EAHD10001531	51
Rear Inner Race	EAHD10001533	52
Lower Counter Shaft Assembly, Welded	EAHDS-3271	52
Snap Ring	EAHD4302082	52

Rear Housing Service Kits

DESCRIPTION	PART NO.	PAGE
Rear Bearing Cover/Output Seal Kit	EAHDK-4399	53
Counter Shaft Bearing O-Ring	EAHD5568511	54
Output Yoke Retainer Bolt (M20 x 1.5 x 80)	EAHD10000949	54
Output Yoke Retainer Plate	EAHD10000950	55
Output Speed Sensor Kit	EAHDK-4381	55
Zero Leak Plug (M18 x 1.5)	EAHD4308230	56
Range Synchronizer Reman Kit	K-4499R	57
Low Range Synchronizer Flange	EAHD10000578	58
Synchronizer Ring (Cone 178.0)	EAHD10000926	58
Oil Restrictor	EAHD10000929	58
Range Carrier Output Shaft Kit	EAHDK-4378	59
Pump Assembly	EAHDA-10004577	60
O-Ring	EAHD10001065	60



Distributed by **Capital Gear** | 780.487.1244 | sales@capitalgear.ca

WE ARE YOUR ONE-STOP DRIVELINE SOURCE SOLUTION! | CAPITALGEAR.CA

Release Bearing Assembly (ISO)

A-10004340



Item	Part Number	Industry Number	Description	Qty	Notes
1	A-10004340	A-10004340	Assembly, Release Bearing (ISO)	1	

Release Bearing Assembly (SAE)

EAHDA-10004341



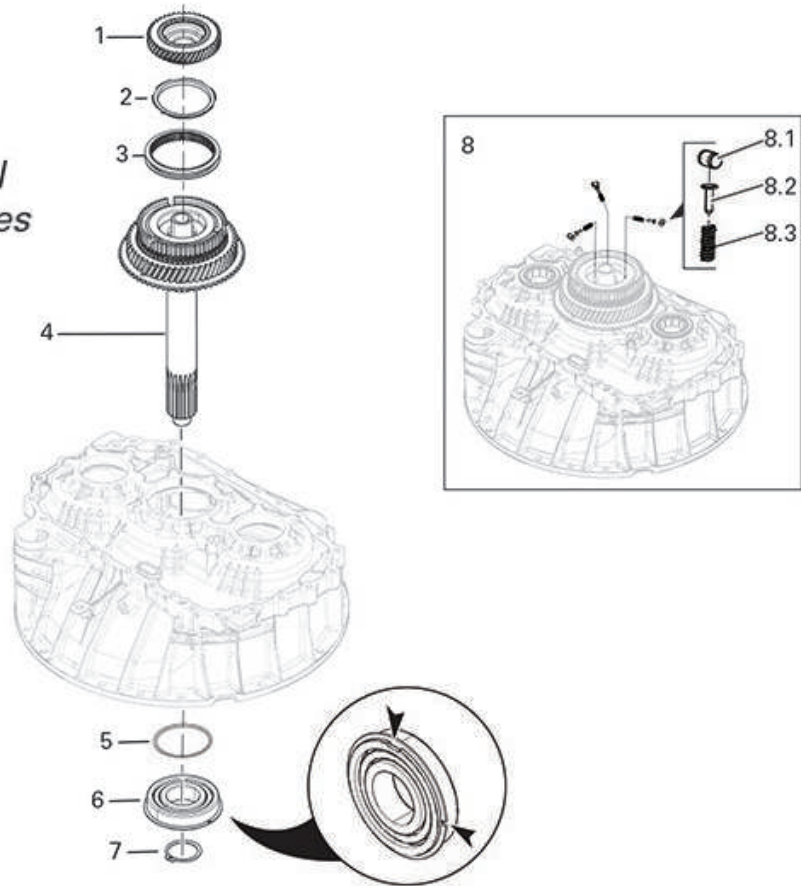
Item	Part Number	Industry Number	Description	Qty	Notes
1	EAHDA-10004341	A-10004341	Assembly, Release Bearing (SAE)	1	

OEM and Engine Specific Transmission Kits | Input Shaft Kits

Input Shaft Kit (ISO)

EAHDK-4659

used with Kenworth/Peterbilt all engines; International all engines



Item	Part Number	Industry Number	Description	Qty	Notes
1	EAHDS-3206	S-3206	Gear ASSY, M/S, Welded (Splitter)	1	
2	EAHD10002550	10002550	Synchro Ring, Splitter	1	
3	EAHD10001942	10001942	Sleeve, Sliding	1	
4	EAHDS-3205	S-3205	Shaft & Gear ASSY, Input	1	
4.1	EAHD10000546	10000546	Bearing, Needle	1	
4.2	EAHD10000623	10000623	Tone, Wheel	1	
4.3	EAHD10002550	10002550	Synchro Ring, Splitter	1	
4.4	EAHDA-10000902	A-10000902	Gear ASSY, Main Drive, Welded	1	
4.5	EAHDA-10001338	A-10001338	Shaft ASSY, Input	1	
4.5a	EAHD10000605	10000605	Sleeve, Bearing	1	
4.5b	EAHD10001190	10001190	Pin, Dowel (3 DIA X 10)	1	
4.5c	EAHD10001335	10001335	Journal, Pilot BRG	1	
4.5d	EAHD10001444	10001444	Snap Ring, External	1	
4.5e	EAHDA-10001529	A-10001529	Shaft & Pin ASSY, Input	1	
5	EAHD10003862	10003862	O-Ring	1	
6	EAHD10004584	10004584	Bearing, Ball	1	
7	EAHD10000624	10000624	Snap Ring, External	1	
8	EAHDK-4388	K-4388	Rail B Synchro Small Parts Kit	1	
8.1	EAHD10001710	10001710	Spring, Comp	3	
8.2	EAHD10001711	10001711	Plunger, Synchro	3	
8.3	EAHD10001959	10001959	Roller, Synchronizer	3	



Distributed by **Capital Gear** | 780.487.1244 | sales@capitalgear.ca

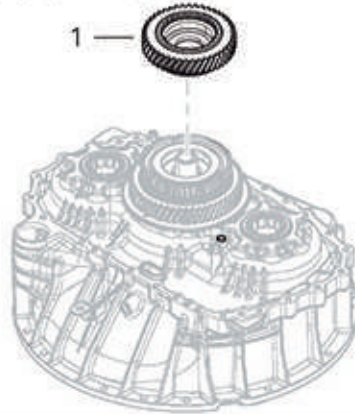
WE ARE YOUR ONE-STOP DRIVELINE SOURCE SOLUTION! | CAPITALGEAR.CA

Input Shaft Kit (ISO)

Individual Components EAHDK-4659 *continued*

Main Shaft Welded Gear Assembly (Splitter)

EAHDS-3206



Item	Part Number	Industry Number	Description	Qty	Notes
1	EAHDS-3206	S-3206	Gear ASSY, M/S, Welded (SPLTR)	1	Included in EAHDK-4660, EAHDK-4659

Splitter Synchronizer Ring

EAHD10002550



Item	Part Number	Industry Number	Description	Qty	Notes
1	EAHD10002550	10002550	Synchro Ring, Splitter	1	Included in EAHDK-4660, EAHDS-3207, EAHDS-3199, EAHDK-4659, EAHDS-3205

Sliding Sleeve

EAHD10001942

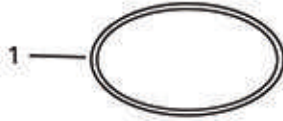


Item	Part Number	Industry Number	Description	Qty	Notes
1	EAHD10001942	10001942	Sleeve, Sliding	1	Included in EAHDK-4660, EAHDK-4659

OEM and Engine Specific Transmission Kits | Input Shaft Kits

Input Shaft Kit (ISO) Individual Components EAHDK-4659 *continued*

Input Shaft Bearing O-Ring EAHD10003862



Item	Part Number	Industry Number	Description	Qty	Notes
1	EAHD10003862	10003862	O-Ring	1	

Input Shaft Ball Bearing EAHD10004584



Item	Part Number	Industry Number	Description	Qty	Notes
1	EAHD10004584	10004584	Bearing, Ball	1	Included in EAHDK-4660, EAHDK-4659, EAHDS-3250

External Snap Ring EAHD10000624



Item	Part Number	Industry Number	Description	Qty	Notes
1	EAHD10000624	10000624	Snap Ring, External	1	Included in EAHDK-4660, EAHDK-4659, EAHDK-4653

OEM and Engine Specific Transmission Kits | Input Shaft Kits

Input Shaft Kit (ISO)

Individual Components EAHDK-4659 *continued*

Synchronizer Roller

EAHD10001959



Item	Part Number	Industry Number	Description	Qty	Notes
1	EAHD10001959	10001959	Roller, Synchronizer	2	Included in EAHDK-4388

Synchronizer Plunger

EAHD10001711



Item	Part Number	Industry Number	Description	Qty	Notes
1	EAHD10001711	10001711	Plunger, Synchronizer	1	Included in EAHDK-4388, EAHDS-3222

Comp Spring

EAHD10001710



Item	Part Number	Industry Number	Description	Qty	Notes
1	EAHD10001710	10001710	Spring, Comp	1	Included in EAHDK-4388, EAHDS-3222

OEM and Engine Specific Transmission Kits | Input Shaft Kits

Input Shaft Kit (SAE)

EAHDK-4660

*used with Freightliner/Western Star
with Cummins engines, Volvo/Mack, all
OEM's with Cummins CNG engines*



Item	Part Number	Industry Number	Description	Qty	Notes
1	EAHD10000624	10000624	Snap Ring, External	1	
2	EAHD10001942	10001942	Sleeve, Sliding	1	
3	EAHD10002550	10002550	Synchro Ring, Splitter	1	
4	EAHD10003862	10003862	O-Ring	1	
5	EAHD10004584	10004584	Bearing, Ball	1	
6	EAHDK-4388	K-4388	Rail B Synchro Small Parts	1	
6.1	EAHD10001710	10001710	Spring, Comp	3	
6.2	EAHD10001711	10001711	Plunger, Synchro	3	
6.3	EAHD10001959	10001959	Roller, Synchronizer	3	
7	EAHDS-3206	S-3206	Gear ASSY, M/S, Welded (SPLTR)	1	
8	EAHDS-3207	S-3207	Shaft & Gear ASSY, Input	1	
8.1	EAHD10000546	10000546	Bearing, Needle	1	
8.2	EAHD10000623	10000623	Tone, Wheel	1	
8.3	EAHD10002550	10002550	Synchro Ring, Splitter	1	
8.4	EAHDA-10000902	A-10000902	Gear ASSY, Main Drive, Welded	1	
8.5		A-10003442	Shaft ASSY, Input (NSS)	1	
8.5a	EAHD10000605	10000605	Sleeve, Bearing	1	
8.5b	EAHD10001190	10001190	Pin, dowel (DIA x 10)	1	
8.5c	EAHD10001335	10001335	Journal, Pilot BRG	1	
8.5d	EAHD10001444	10001444	Snap Ring, External	1	
8.5e	EAHDK-10003441	A-10003441	Input Shaft and Pin ASSY	1	

NSS = Not Sold Separately



Distributed by **Capital Gear** | 780.487.1244 | sales@capitalgear.ca

WE ARE YOUR ONE-STOP DRIVELINE SOURCE SOLUTION! | CAPITALGEAR.CA

All images © Eaton. Used with permission.

OEM and Engine Specific Transmission Kits | Input Shaft Kits

Input Shaft Kit

EAHDK-4661

*used with Freightliner/Western Star
with Detroit Diesel engines*



Item	Part Number	Industry Number	Description	Qty	Notes
1	EAHD10000624	10000624	Snap Ring, External	1	
2	EAHD10001942	10001942	Sleeve, Sliding	1	
3	EAHD10002550	10002550	Synchro Ring, Splitter	1	
4	EAHD10003862	10003862	O-Ring	1	
5	EAHD10004584	10004584	Bearing, Ball	1	
6	EAHDK-4388	K-4388	Rail B Synchro Small Parts	1	
6.1	EAHD10001710	10001710	Spring, Comp	3	
6.2	EAHD10001711	10001711	Plunger, Synchro	3	
6.3	EAHD10001959	10001959	Roller, Synchronizer	3	
7	EAHDS-3199	S-3199	Shaft & Gear ASSY, Input	1	
7.1	EAHD10000546	10000546	Bearing, Needle	1	
7.2	EAHD10000623	10000623	Tone, Wheel	1	
7.3	EAHD10002550	10002550	Synchro Ring, Splitter	1	
7.4	EAHDA-10000902	A-10000902	Gear ASSY, Main Drive, Welded	1	
7.5		A-10003879	Shaft ASSY, Input (NSS)	1	
7.5a	EAHD10000605	10000605	Sleeve, Bearing	1	
7.5b	EAHD10001190	10001190	Pin, Dowel (3 DIA X 10)	1	
7.5c	EAHD10001444	10001444	Snap Ring, External	1	
7.5d	EAHD10003876	10003876	Journal, Pilot BRG	1	
7.5e		A-10003878	Shaft & Pin ASSY, Input (NSS)	1	
7.6	EAHDS-3206	S-3206	Gear ASSY, M/S, Welded (SPLTR)	1	

NSS = Not Sold Separately



Distributed by **Capital Gear** | 780.487.1244 | sales@capitalgear.ca

WE ARE YOUR ONE-STOP DRIVELINE SOURCE SOLUTION! | CAPITALGEAR.CA

All images © Eaton. Used with permission.

OEM and Engine Specific Transmission Kits | Input Shaft Kits

Input Shaft Kit Individual Components EAHDK-4661

Main Drive Gear Assembly, Welded EAHDA-10000902



Item	Part Number	Industry Number	Description	Qty	Notes
1	EAHDA- 10000902	A- 10000902	Gear ASSY, Main Drive, Welded	1	Included in EAHDS-3207, EAHDS-3199

Bearing Sleeve EAHD10000605



Item	Part Number	Industry Number	Description	Qty	Notes
1	EAHD10000605	10000605	Sleeve, Bearing	1	Included in EAHDS-3221, EAHDS-3207, EAHDS-3199

OEM and Engine Specific Transmission Kits | Input Shaft Kits

Input Shaft Repair Kit without Pilot Bearing

EAHDK-4569 (Replaced K-4362)



Item	Part Number	Industry Number	Description	Qty	Notes
1	EAHD10001190	10001190	Pin, Dowel (3 DIA X 10)	1	
2	EAHD10001335	10001335	Journal, Pilot BRG	1	
3	EAHD10001444	10001444	Snap Ring, External	1	

Input Shaft Repair Kit without Pilot Bearing

Individual Components EAHDK-4569

Dowel Pin (3 DIA x 10)

EAHD10001190



Item	Part Number	Industry Number	Description	Qty	Notes
1	EAHD10001190	10001190	Pin, Dowel (3 DIA X 10)	1	Included in EAHDA-10001338, EAHDK-4569, EAHDS-3207, EAHDS-3199

Pilot Bearing Journal

EAHD10001335



Item	Part Number	Industry Number	Description	Qty	Notes
1	EAHD10001335	10001335	Journal, Pilot BRG	1	Included in EAHDK-4569, EAHDS-3207, EAHDA-10001338



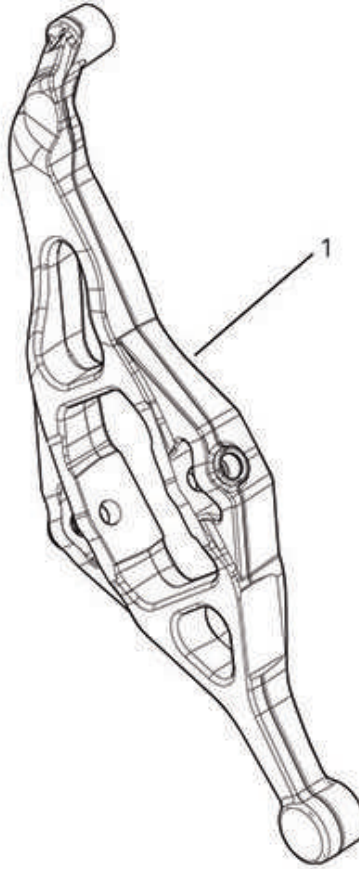
Distributed by **Capital Gear** | 780.487.1244 | sales@capitalgear.ca

WE ARE YOUR ONE-STOP DRIVELINE SOURCE SOLUTION! | CAPITALGEAR.CA

All images © Eaton. Used with permission.

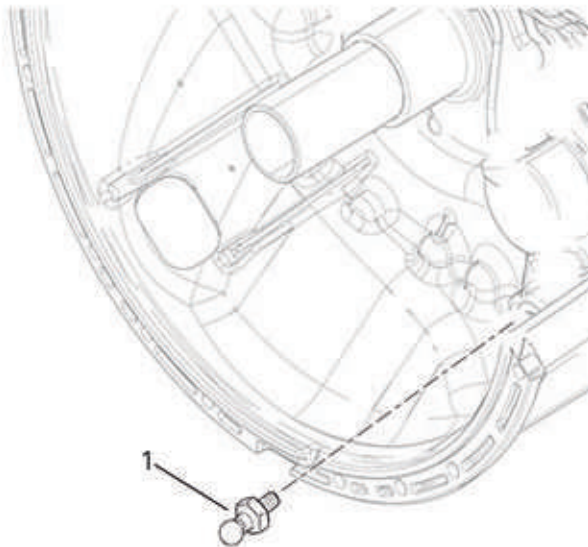
Clutch Housing Service Kits

Release Yoke Assembly Kit EAHDK-4553



Item	Part Number	Industry Number	Description	Qty	Notes
1	EAHDK-4553	K-4553	Release Yoke Assembly Kit	1	

Release Yoke Pivot Pin EAHD10001949



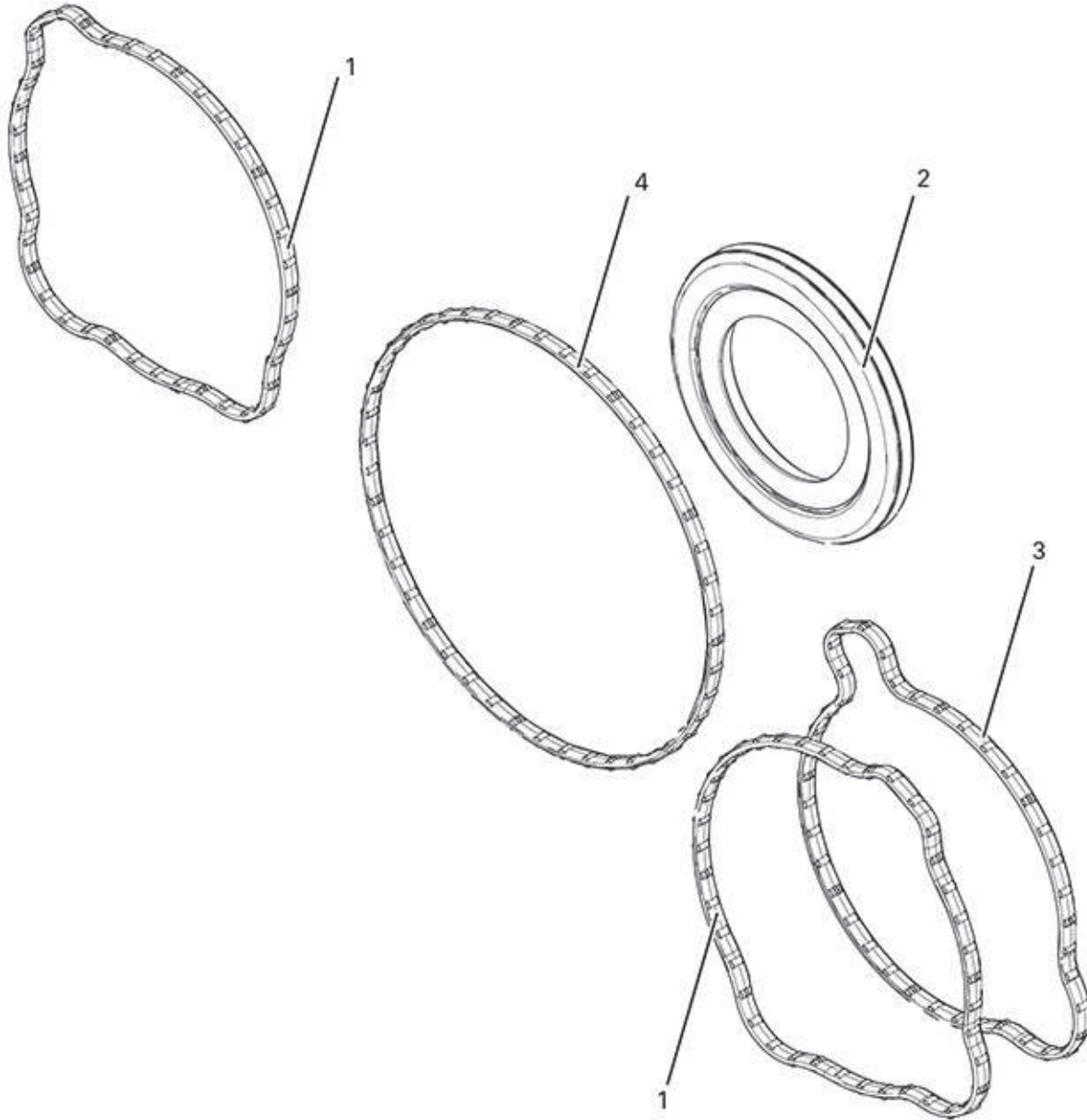
Item	Part Number	Industry Number	Description	Qty	Notes
1	EAHD10001949	10001949	Pin, Pivot	1	



Distributed by **Capital Gear** | 780.487.1244 | sales@capitalgear.ca
WE ARE YOUR ONE-STOP DRIVELINE SOURCE SOLUTION! | CAPITALGEAR.CA

Clutch Housing Service Kits

Clutch Housing Seal Kit EAHDK-4382

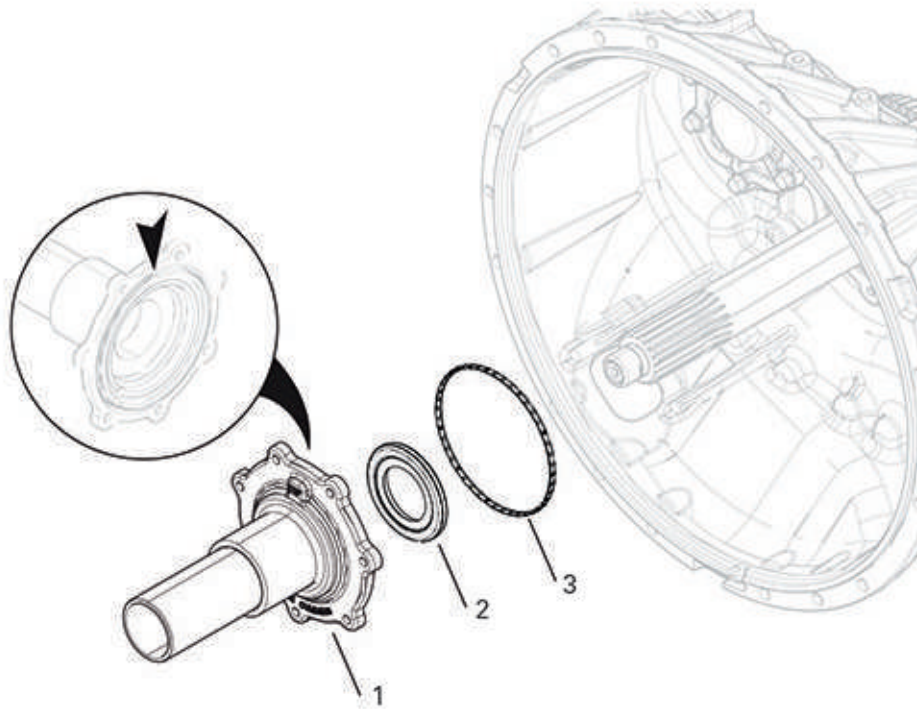


Item	Part Number	Industry Number	Description	Qty	Notes
1	EAHD10001048	10001048	Seal, Piston Cover	2	
2	EAHD4305625	4305625	Seal, Housing	1	
3	EAHD10001049	10001049	Seal, Cover	1	
4	EAHD10001578	10001578	Seal, Oil	1	

Clutch Housing Service Kits

Input Shaft Cover Kit (Hard Lock Bearing Design)

EAHDK-4657

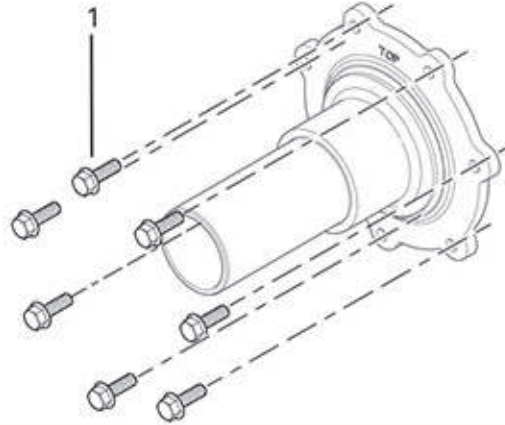


Item	Part Number	Industry Number	Description	Qty	Notes
1	EAHDA-10004581	A-10004581	Assembly, Cover, Bearing, Front	1	
2	EAHD4305625	4305625	Seal, Oil	1	
3	EAHD10001578	10001578	Seal, Cover	1	

Clutch Housing Service Kits

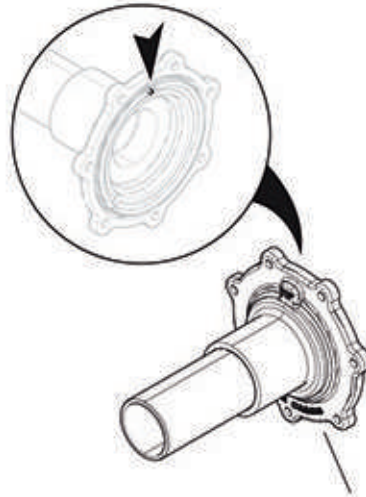
Input Shaft Cover Kit (Hard Lock Bearing Design) Individual Components EAHDK-4657

Hex Screw, FLG HD (M8 x 1.25 x 25)
EAHD10001814



Item	Part Number	Industry Number	Description	Qty	Notes
1	EAHD10001814	10001814	Screw, HEX FLG HD (M8 x 1.25 x25)	1	

Front Bearing Cover Assembly
EAHDA-10004581



Item	Part Number	Industry Number	Description	Qty	Notes
1	EAHDA-10004581	A-10004581	Assembly, Cover, Bearing, Front	1	

Oil Seal
EAHD4305625



Item	Part Number	Industry Number	Description	Qty	Notes
1	EAHD4305625	4305625	Seal, Oil	1	



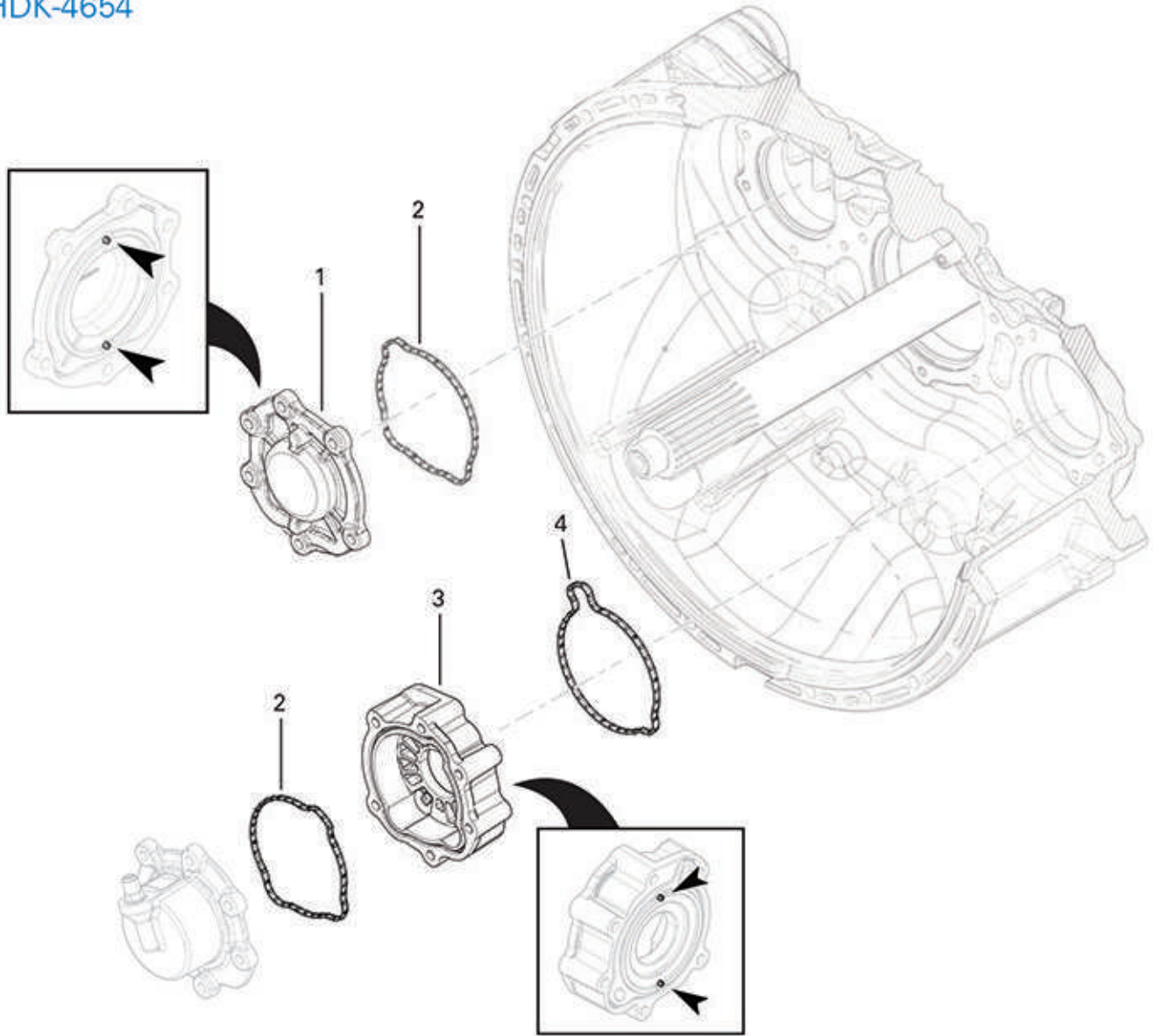
Distributed by **Capital Gear** | 780.487.1244 | sales@capitalgear.ca

WE ARE YOUR ONE-STOP DRIVELINE SOURCE SOLUTION! | CAPITALGEAR.CA

All images © Eaton. Used with permission.

Clutch Housing Service Kits

Clutch Housing Front Cover Kit (Hard Lock Bearing Design) EAHDK-4654



Item	Part Number	Industry Number	Description	Qty	Notes
1	EAHDA-10004580	A-10004580	Bearing Cover Assembly, Counter Shaft, Upper	1	
2	EAHD10001048	10001048	Seal, Piston Cover	2	
3	EAHDA-10004579	A-10004579	Housing Assembly, I-Brake	1	
4	EAHD10001049	10001049	Seal, Housing	1	



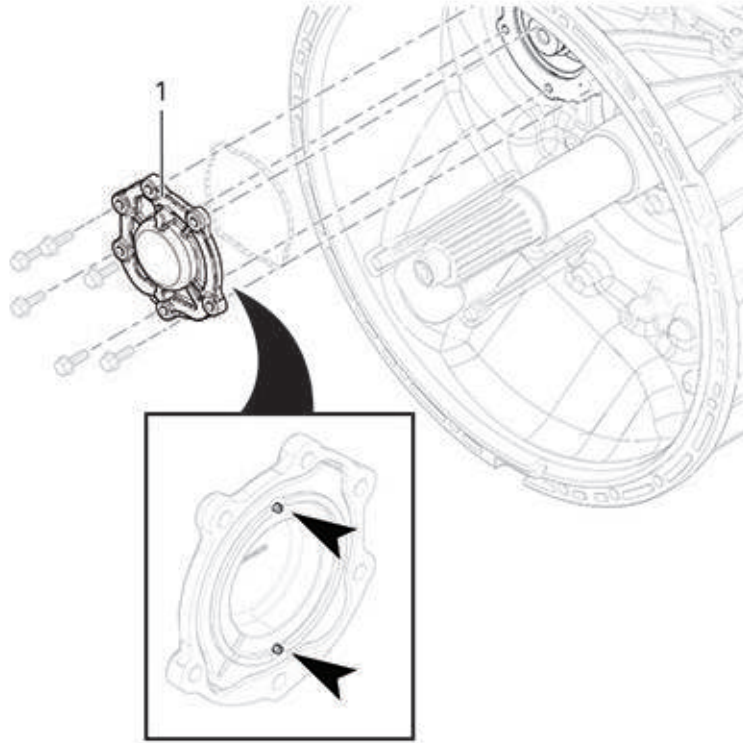
Distributed by **Capital Gear** | 780.487.1244 | sales@capitalgear.ca

WE ARE YOUR ONE-STOP DRIVELINE SOURCE SOLUTION! | CAPITALGEAR.CA

Clutch Housing Service Kits

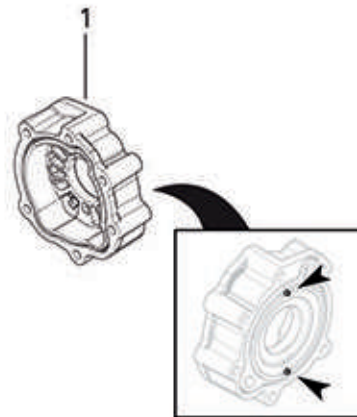
Clutch Housing Front Cover Kit (Hard Lock Bearing Design) Individual Components EAHDK-4654

Upper Counter Shaft Cover (Hard Lock Bearing Design) EAHDA-10004580



Item	Part Number	Industry Number	Description	Qty	Notes
1	EAHDA-10004580	A-10004580	Upper Counter Shaft Cover	1	Included in EAHDK-4654

Inertia Brake Housing Assembly EAHDA-10004579



Item	Part Number	Industry Number	Description	Qty	Notes
1	EAHDA-10004579	A-10004579	Housing Assembly, I-Brake	1	Included in EAHDK-4654

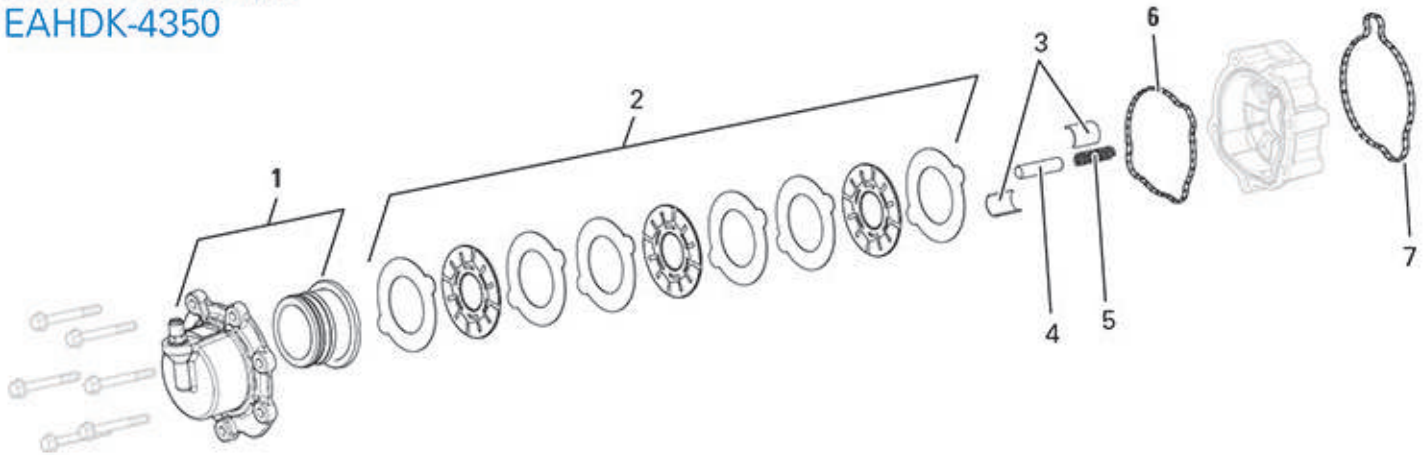


Distributed by **Capital Gear** | 780.487.1244 | sales@capitalgear.ca
WE ARE YOUR ONE-STOP DRIVELINE SOURCE SOLUTION! | CAPITALGEAR.CA

All images © Eaton. Used with permission.

Clutch Housing Service Kits

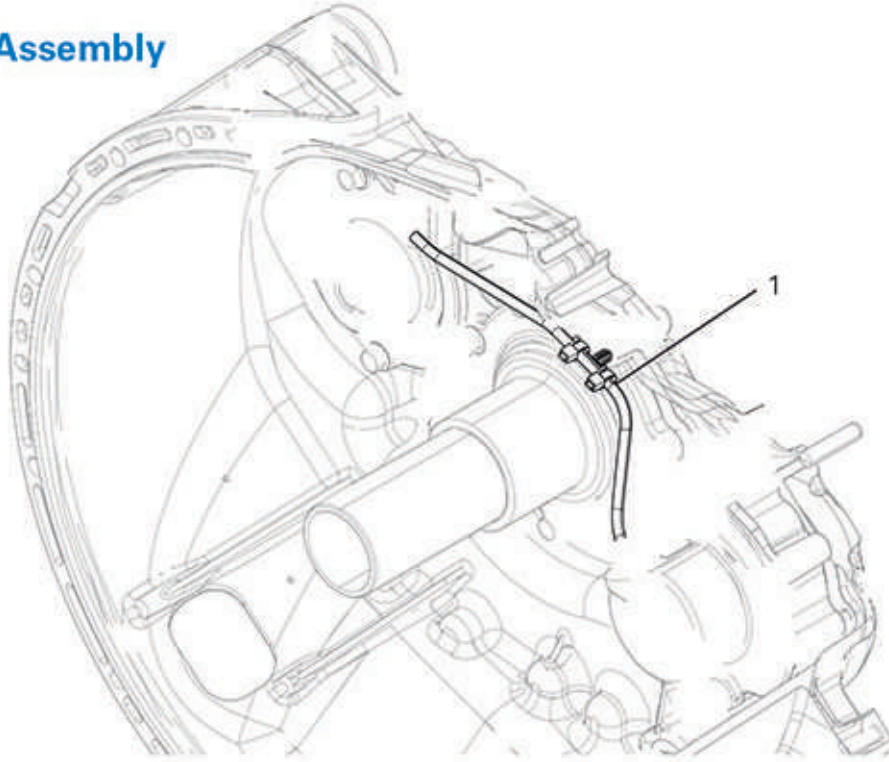
Inertia Brake Kit EAHDK-4350



Item	Part Number	Industry Number	Description	Qty	Notes
1	EAHDS-3200	S-3200	Piston & Cover ASSY, I-Brake	1	
1.1	EAHD100012139	100012139	Seal, Cover	1	
1.2	EAHD10001447	10001447	Cover, I-Brake	1	
1.3	A-10001614	A-10001614	Piston ASSY, I-Brake	1	
1.3a	EAHD10001446	10001446	Seal, U-Cup	1	
1.3b	EAHD10001928	10001928	Piston, I-Brake	1	
1.3c	EAHD10002026	10002026	Seal, Piston	1	
1.3d	EAHD10002028	10002028	Ring, Wear, Piston	1	
1.3e	EAHDX-14-800	X-14-800	Ball, Steel, ½	1	
2	EAHDS-3202	S-3202	Disc ASSY, I-Brake	1	
2.1	EAHD10000765	10000765	Disc, Eared	6	
2.2	EAHDA-10000762	A-10000762	Disc ASSY, Friction	3	
3	EAHD10000766	10000766	Clip, Disc Guide	2	
4	EAHD10000778	10000778	Pin, Piston Cover	1	
5	EAHD8874897	8874897	Spring, Detent	1	
6	EAHD10001048	10001048	Seal, Piston Cover	1	
7	EAHD10001049	10001049	Seal, Housing	1	

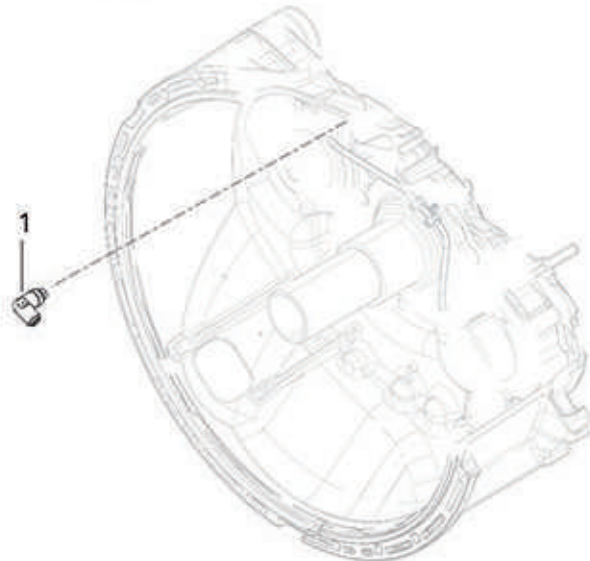
Clutch Housing Service Kits

Inertia Brake Air Line Assembly EAHDS-3204



Item	Part Number	Industry Number	Description	Qty	Notes
1	EAHDS-3204	S-3204	I-Brake Air Line ASSY	1	
1.1	EAHD10001241	10001241	Tubing, Air (Black)	1	
1.2	EAHD4306219	4306219	Clip, Seal	1	
1.3	5559348	5559348	TY-RAP	2	

Inertia Brake Air Line Swivel Fitting (M10 x 1) EAHD10001240



Item	Part Number	Industry Number	Description	Qty	Notes
1	EAHD10001240	10001240	Fitting, Elbow (M10 X 1)	1	Included in EAHDS-3250



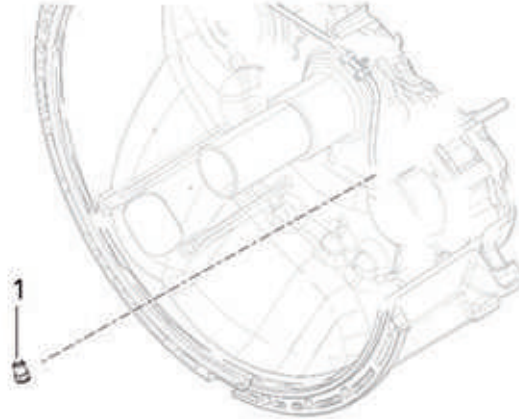
Distributed by **Capital Gear** | 780.487.1244 | sales@capitalgear.ca
WE ARE YOUR ONE-STOP DRIVELINE SOURCE SOLUTION! | CAPITALGEAR.CA

All images © Eaton. Used with permission.

Clutch Housing Service Kits

Inertia Brake Air Line Straight Fitting (M10 x 1)

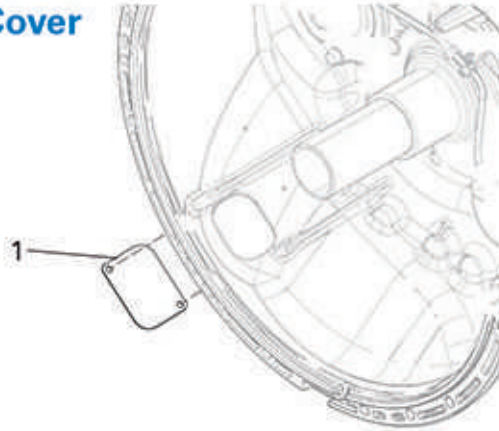
EAHD10001239



Item	Part Number	Industry Number	Description	Qty	Notes
1	EAHD10001239	10001239	Fitting, STR (M10 x 1)	1	

Clutch Housing Inspection Cover

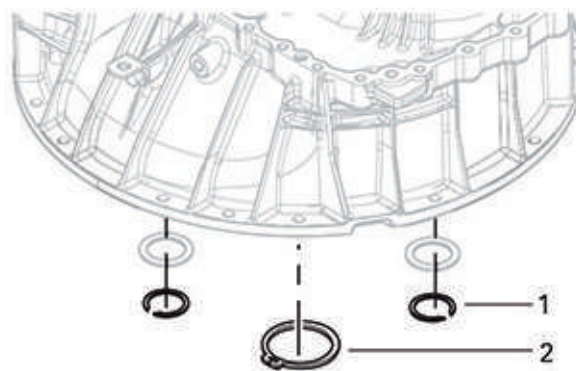
EAHD10001202



Item	Part Number	Industry Number	Description	Qty	Notes
1	EAHD10001202	10001202	Cover, HH, Clutch Housing	1	

Front Snap Ring Kit

K-4359 (NSS)



NSS = Not Sold Separately

Item	Part Number	Industry Number	Description	Qty	Notes
1	EAHD4302082	4302082	Counter Shaft Snap Ring	2	
2	EAHD10000624	10000624	Input Shaft Snap Ring	1	



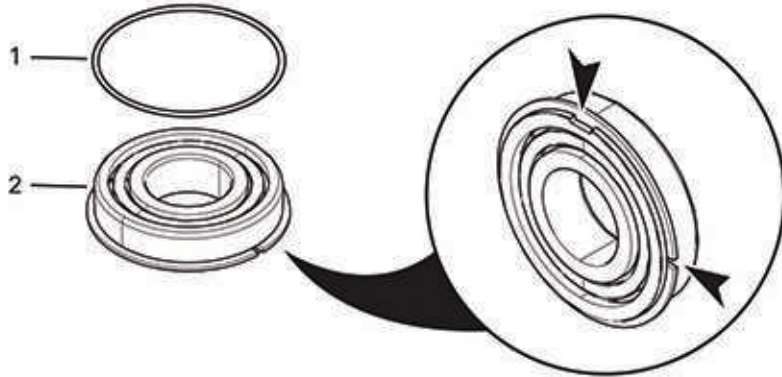
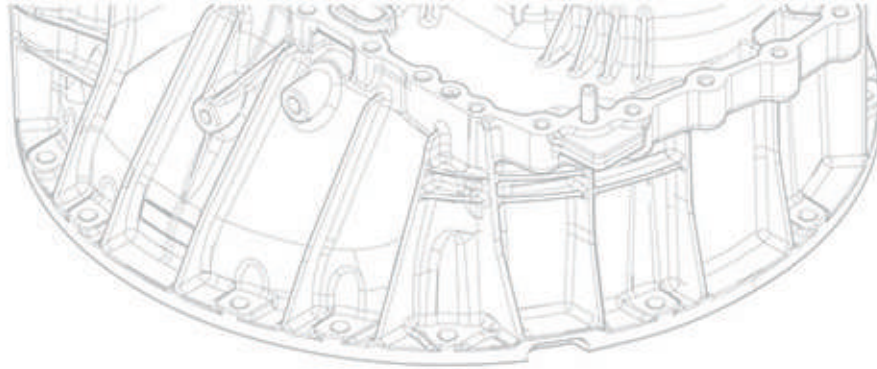
Distributed by **Capital Gear** | 780.487.1244 | sales@capitalgear.ca

WE ARE YOUR ONE-STOP DRIVELINE SOURCE SOLUTION! | CAPITALGEAR.CA

Clutch Housing Service Kits

Input Shaft Bearing Kit

K-4658 (NSS)

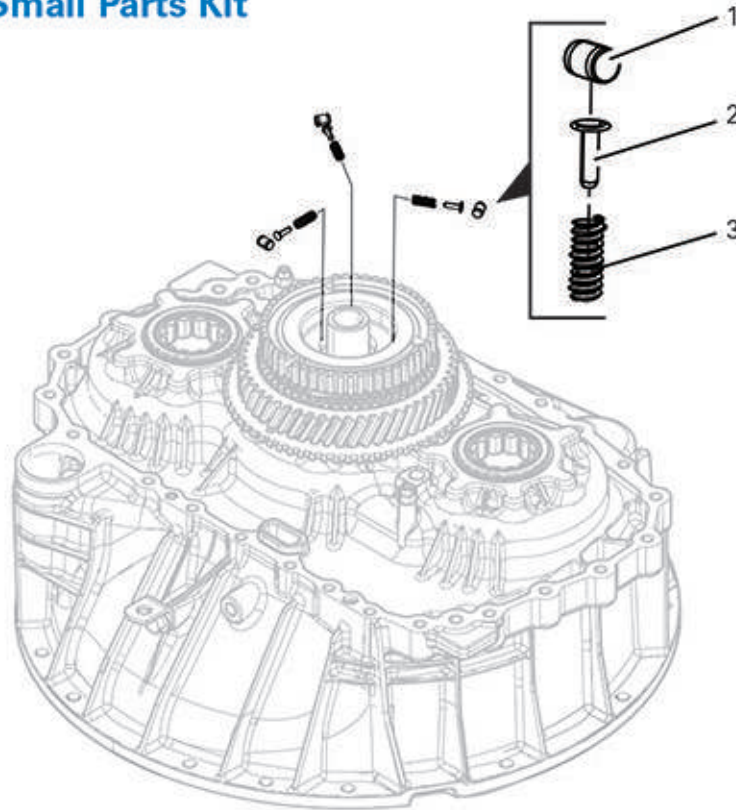


Item	Part Number	Industry Number	Description	Qty	Notes
1	EAHD10003862	10003862	O-Ring	1	
2	EAHD10004584	10004584	Bearing, Ball	1	

NSS = Not Sold Separately

Clutch Housing Service Kits

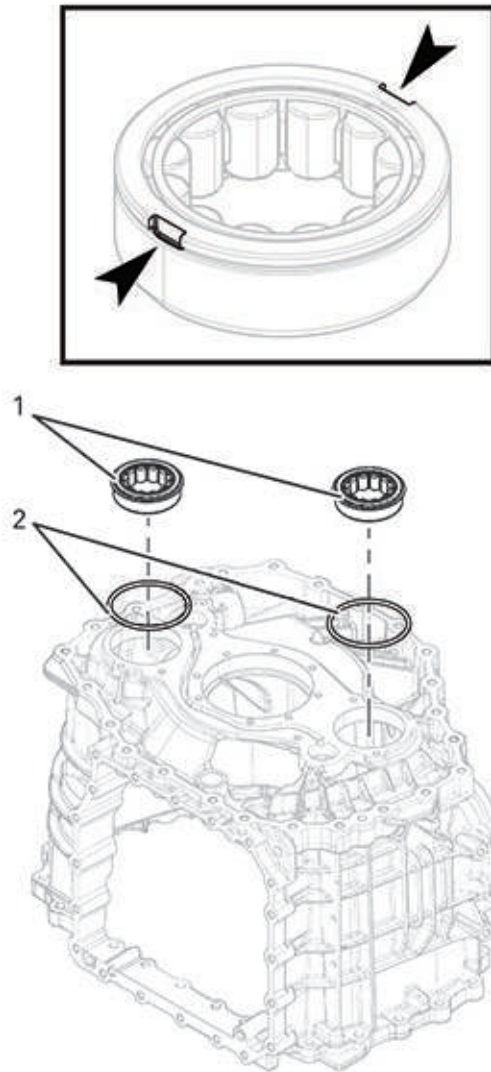
Rail B Synchronizer Small Parts Kit EAHDK-4388



Item	Part Number	Industry Number	Description	Qty	Notes
1	EAHD10001959	10001959	Roller, Synchronizer	3	
2	EAHD10001711	10001711	Plunger, Synchronizer	3	
3	EAHD10001710	10001710	Spring, Comp	3	

Clutch Housing Service Kits

Counter Shaft Bearing Kit (Hard Lock Bearing Design) EAHDK-4652



Item	Part Number	Industry Number	Description	Qty	Notes
1	EAHD10004571	10004571	Counter Shaft Bearing	2	
2	EAHD5568511	5568511	Counter Shaft Bearing O-Ring	2	

Clutch Housing Service Kits

Counter Shaft Bearing Kit (Hard Lock Bearing Design) Individual Components EAHDK-4652

Counter Shaft Bearing EAHD10004571



Item	Part Number	Industry Number	Description	Qty	Notes
1	EAHD10004571	10004571	Bearing, Countershaft	1	Included in EAHDS-3250, EAHDS-3251, EAHDK-4652

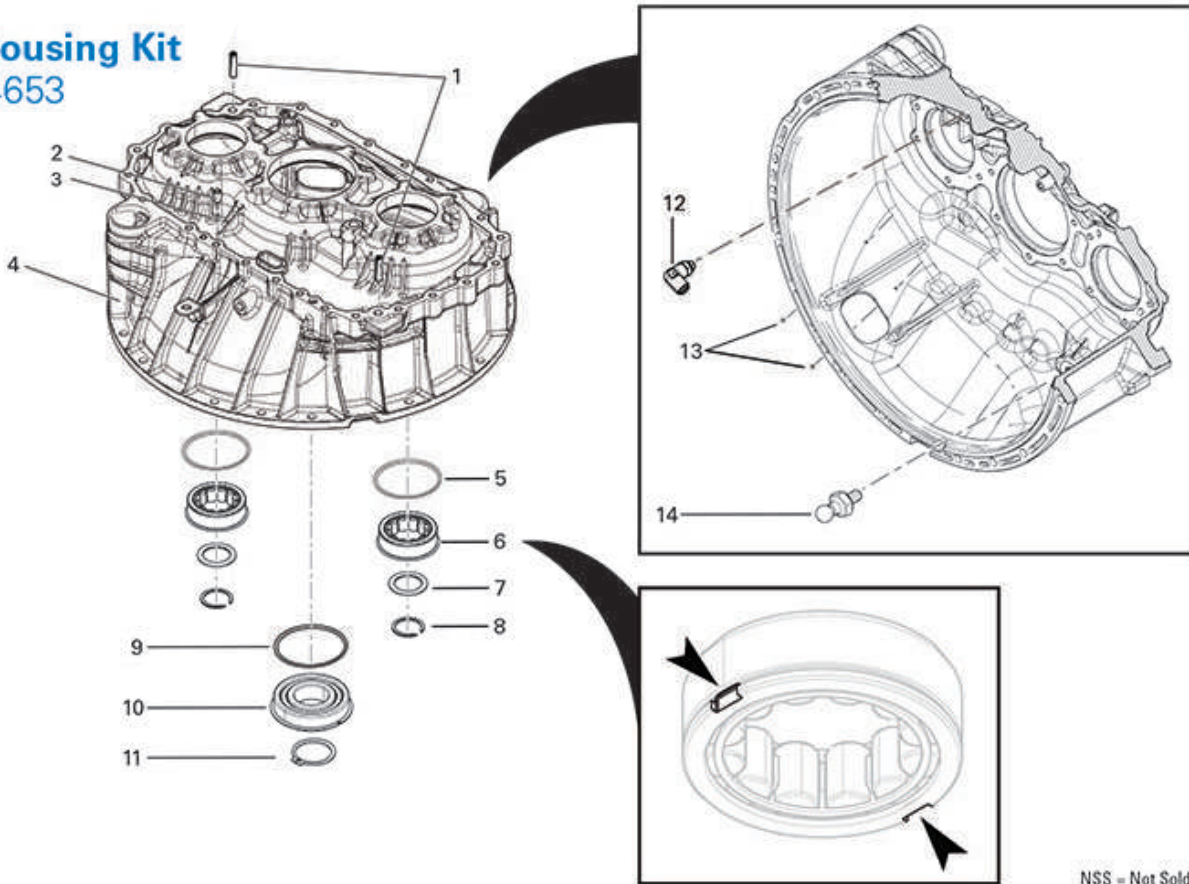
Counter Shaft Bearing O-Ring EAHD5568511



Item	Part Number	Industry Number	Description	Qty	Notes
2	EAHD5568511	5568511	Counter Shaft Bearing O-Ring	1	Included in EAHDS-3250, EAHDS-3251, EAHDK-4652

Clutch Housing Service Kits

Clutch Housing Kit EAHDK-4653



NSS = Not Sold Separately

Item	Part Number	Industry Number	Description	Qty	Notes
1	EAHD5575522	5575522	Pin, dowel (10 x 45MM)	4	
2	EAHD10001181	10001181	Dowel, Spring (6 x 12)	1	
3	EAHD13834	13834	O-Ring	1	
4	EAHDS-3250	S-3250	Housing ASSY, Clutch	1	
4.1	EAHD10001240	10001240	Inertia Brake Air Line Fitting	1	
4.2	EAHD10003862	10003862	Input Shaft Bearing O-Ring	1	
4.3	EAHD10004372	10004372	Housing, Clutch	1	
4.4	EAHD10004571	10004571	Bearing, Roller	1	
4.5	EAHD10004584	10004584	Input Shaft Ball Bearing	1	
4.6	EAHD5568511	5568511	Counter Shaft Bearing O-Ring	2	
5	EAHD5568511	5568511	O-Ring	2	
6		10000649	Counter Shaft Bearing (NSS)	2	
7	EAHD10001532	10001532	Washer, Thrust	4	
8	EAHD4302082	4302082	Snap Ring	4	
9	EAHD10003862	10003862	O-Ring	1	
10	EAHD10004584	10004584	Bearing, Ball	1	
11	EAHD10000624	10000624	Snap Ring, External	1	
12	EAHD10001240	10001240	Fitting, Elbow (M10 x 1)	1	
13	EAHDX-13-229	X-13-229	Rivet, Mandrel, Blind (1/8 x 5/16)	4	
14	EAHD10001949	10001949	Pin, Pivot	1	



Distributed by **Capital Gear** | 780.487.1244 | sales@capitalgear.ca

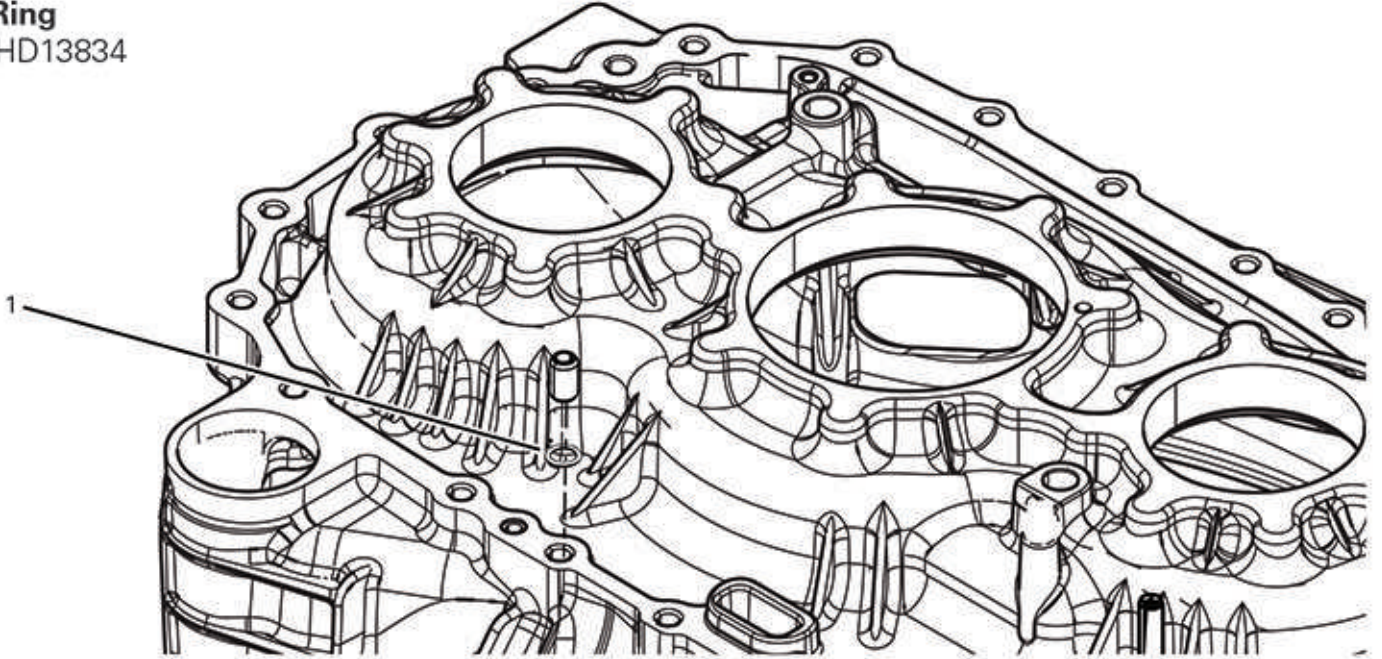
WE ARE YOUR ONE-STOP DRIVELINE SOURCE SOLUTION! | CAPITALGEAR.CA

All images © Eaton. Used with permission.

Clutch Housing Service Kits

Clutch Housing Kit Individual Components EAHDK-4653

O-Ring
EAHD13834

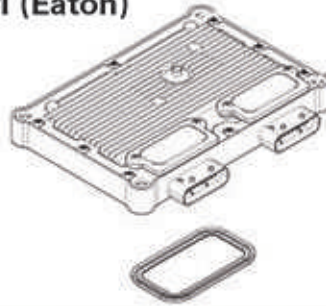


Item	Part Number	Industry Number	Description	Qty	Notes
	EAHD13834	13834	O-Ring	1	Included in EAHDK-4653

Main Housing Service Kits

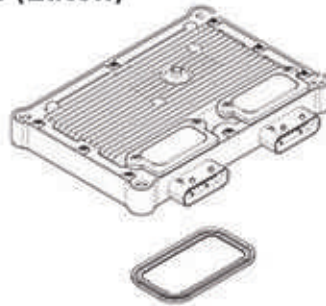
Transmission Control Module (TCM) Kits

Endurant HD 12-Speed Kit, A5.1 TCM (Eaton) EAHDK-4616



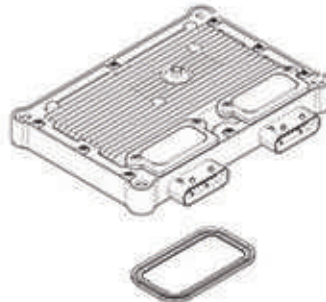
Item	Part Number	Industry Number	Description	Qty	Notes
	EAHDK-4616	K-4616	Endurant HD 12 Speed Kit, A5.1 TCM (Eaton)	1	

Endurant HD 11-Speed Kit, A5.1 TCM (Eaton) EAHDK-4617



Item	Part Number	Industry Number	Description	Qty	Notes
	EAHDK-4617	K-4617	Endurant HD 11 Speed Kit, A5.1 TCM (Eaton)	1	

Endurant HD 12-Speed CNG Kit, A5.1 TCM (Eaton) EAHDK-4618



Item	Part Number	Industry Number	Description	Qty	Notes
	EAHDK-4618	K-4618	Endurant HD 12 Speed CNG Kit, A5.1 TCM (Eaton)	1	



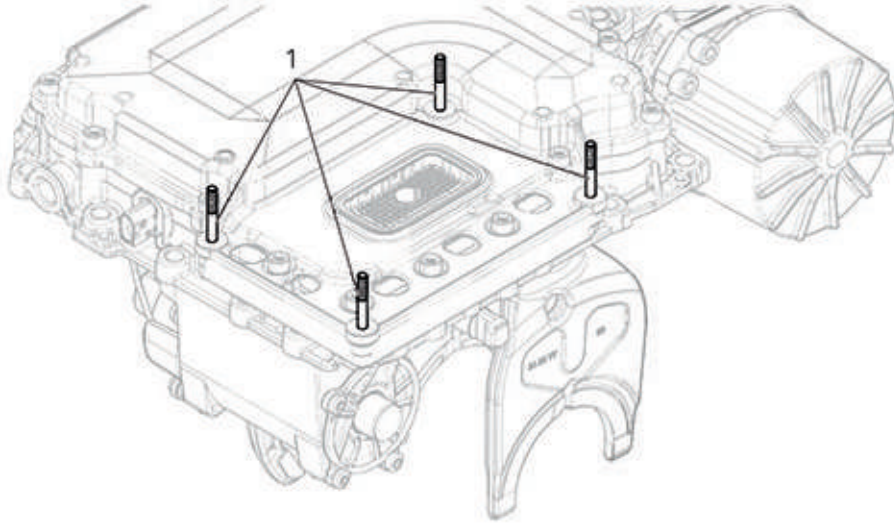
Distributed by **Capital Gear** | 780.487.1244 | sales@capitalgear.ca

WE ARE YOUR ONE-STOP DRIVELINE SOURCE SOLUTION! | CAPITALGEAR.CA

All images © Eaton. Used with permission.

Main Housing Service Kits

Transmission Control Module M6 Stud (M6 x 50.0) EAHD5577511



Item	Part Number	Industry Number	Description	Qty	Notes
1	EAHD5577511	5577511	Stud, M6 (M6 x 50.0)	4	

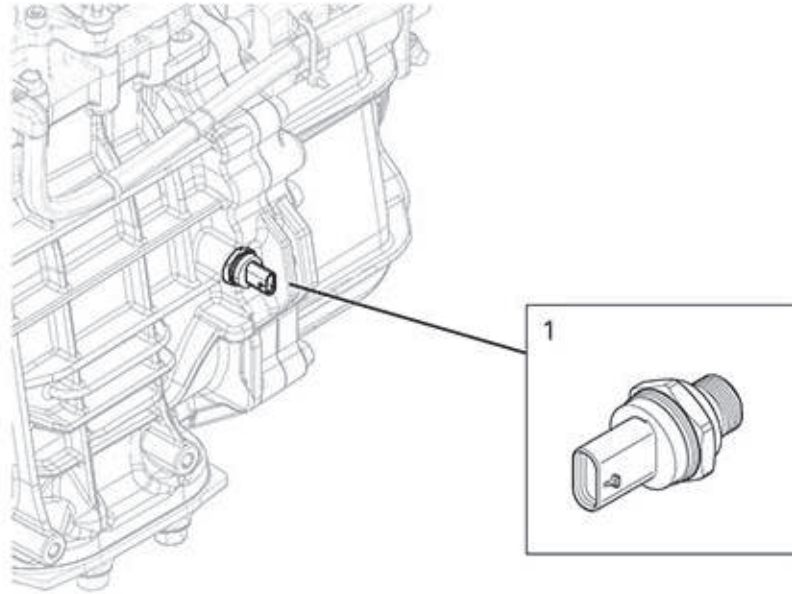
Sealant 50 ML (1.69 FL. OZ) EAHD5564561



Item	Part Number	Industry Number	Description	Qty	Notes
	EAHD5564561	5564561	Sealant 50 ML (1.69 FL. OZ)	1	

Main Housing Service Kits

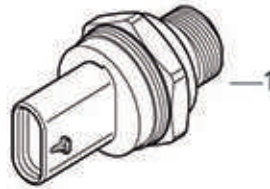
Lube Pressure Sensor Kit EAHDK-4387



Item	Part Number	Industry Number	Description	Qty	Notes
1	EAHD10004110	10004110	Sensor, Pressure	1	

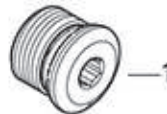
Lube Pressure Sensor Kit Individual Components EAHDK-4387

Fluid Pressure Sensor EAHD10004110



Item	Part Number	Industry Number	Description	Qty	Notes
1	EAHD10004110	10004110	Sensor, Pressure	1	

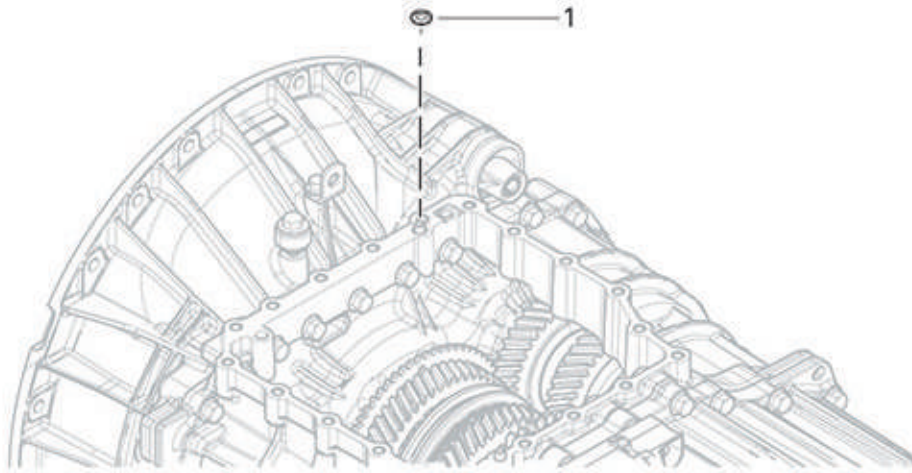
Fluid Pressure Sensor Plug (M14 x 1.5) EAHD4308231



Item	Part Number	Industry Number	Description	Qty	Notes
1	EAHD4308231	4308231	Plug, Zero Leak (M14 x 1.5)	1	

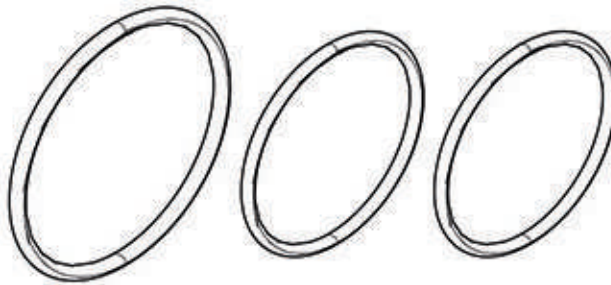
Main Housing Service Kits

Inertia Brake MTM to Main Housing O-Ring EAHD13653



Item	Part Number	Industry Number	Description	Qty	Notes
1	EAHD13653	13653	O-Ring	1	

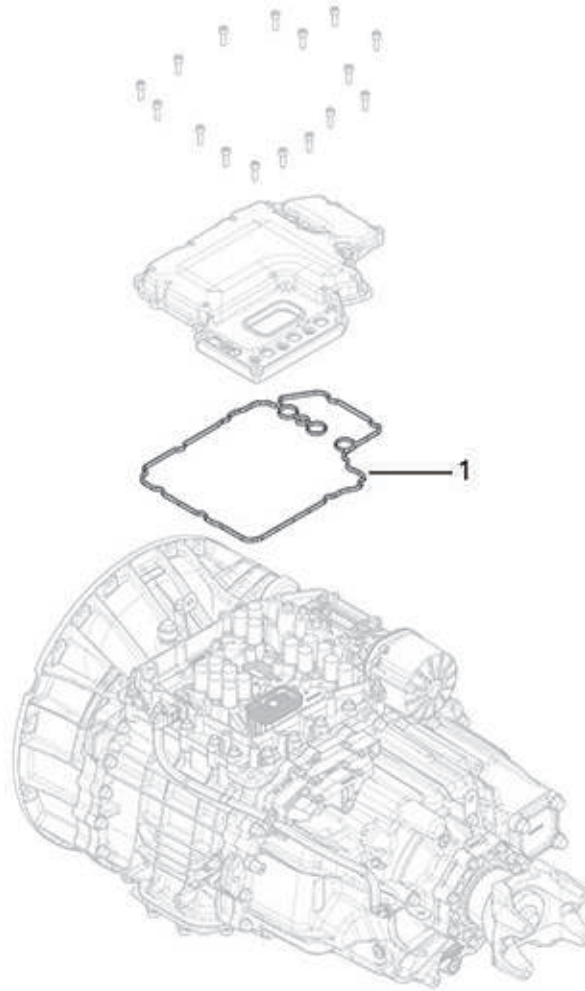
Mechatronic Transmission Module (MTM) O-Ring Repair Customer Kit EAHDK-4637



Item	Part Number	Industry Number	Description	Qty	Notes
	EAHDK-4637	K-4637	MTM O-Ring Repair Customer Kit	1	

Main Housing Service Kits

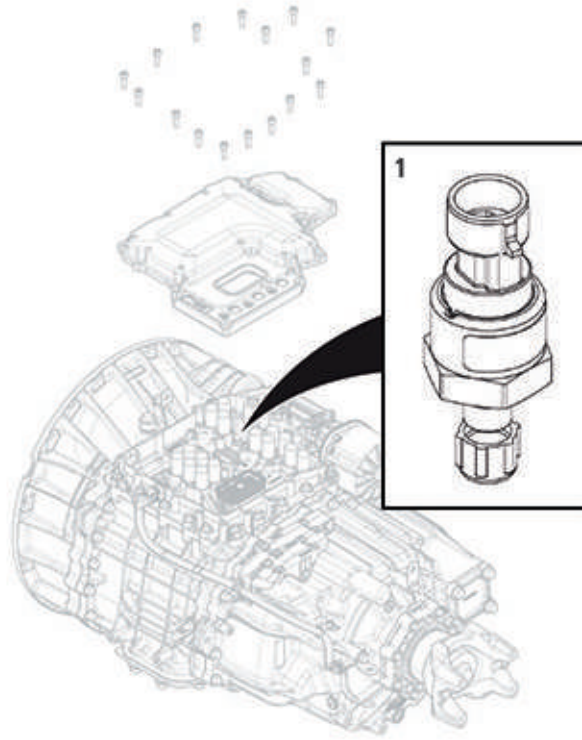
MTM Top Cover Seal EAHD10005055



Item	Part Number	Industry Number	Description	Qty	Notes
1	EAHD10005055	10005055	Seal – Top Cover MTM	1	

Main Housing Service Kits

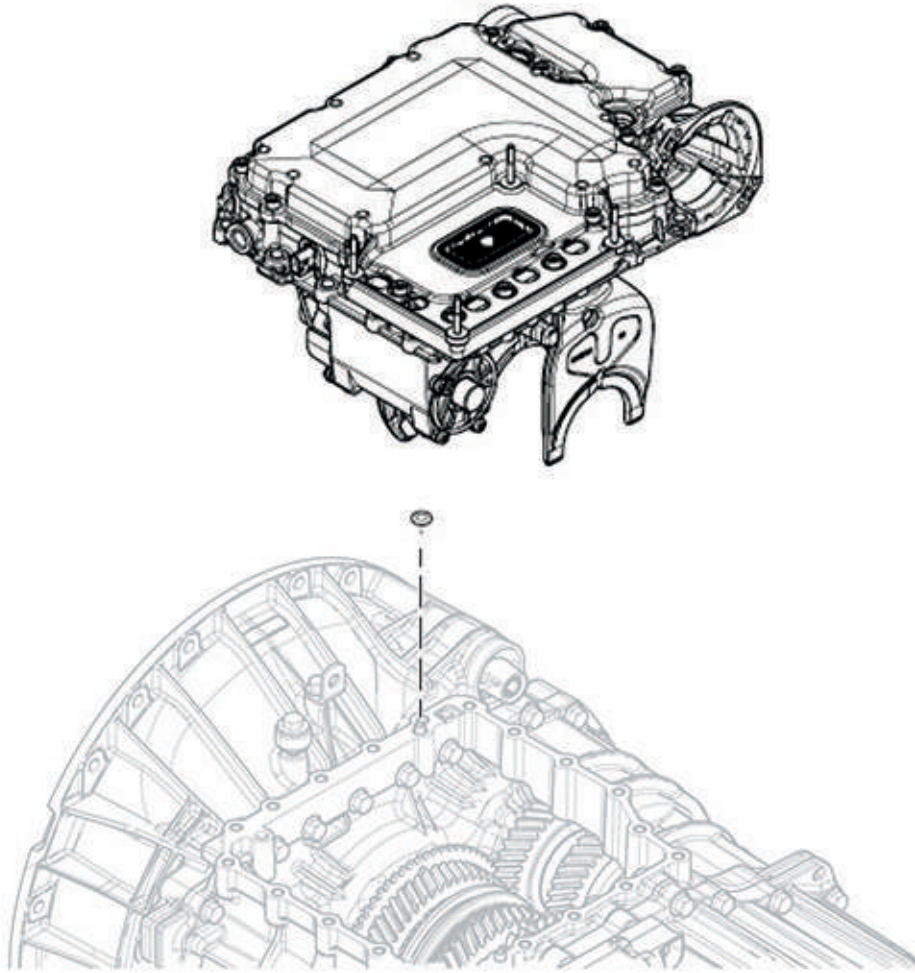
MTM Air Pressure Sensor
EAHD10005053



Item	Part Number	Industry Number	Description	Qty	Notes
1	EAHD10005053	10005053	Sensor, Air Pressure	1	

Main Housing Service Kits

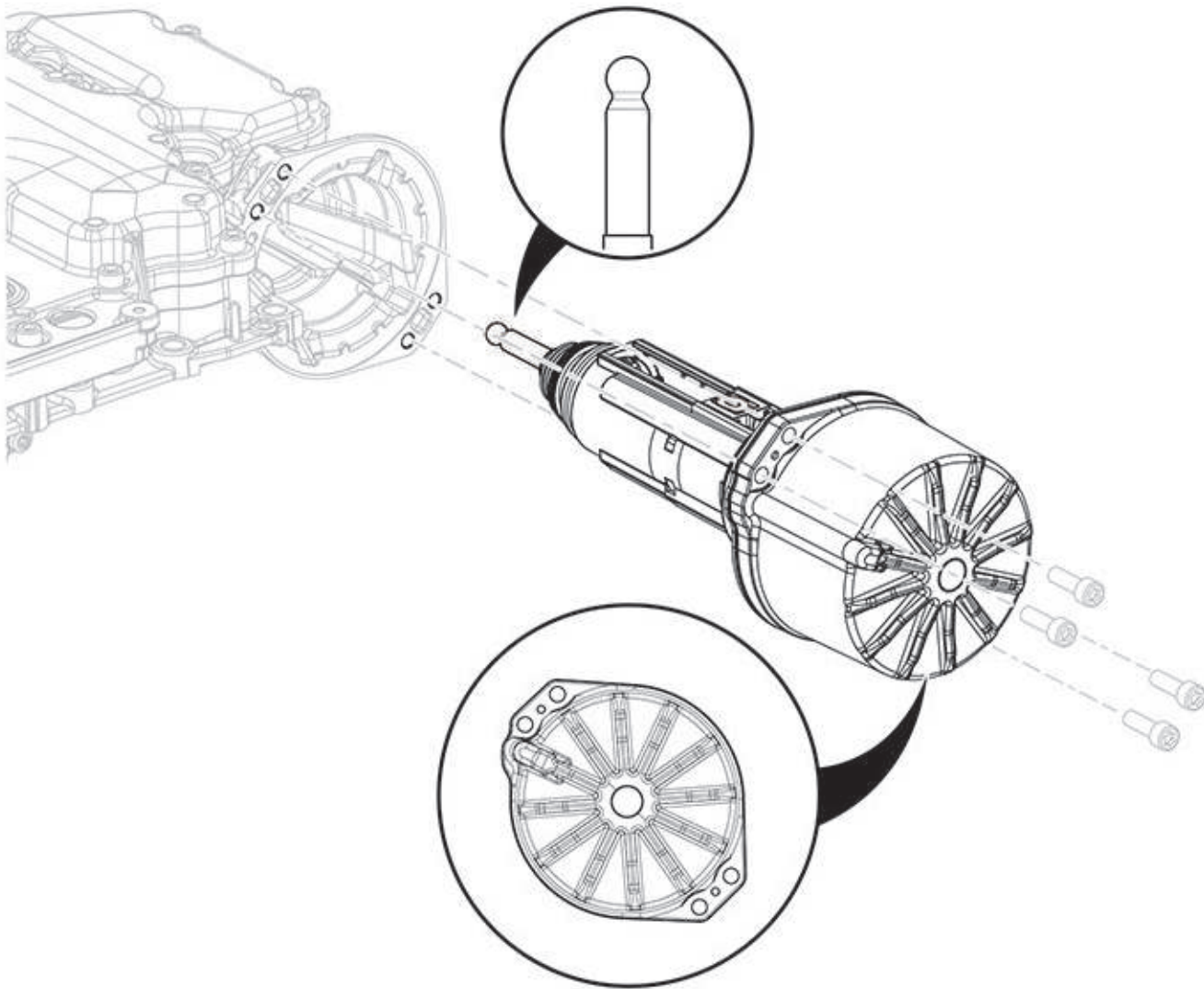
MTM Kit with Temp Sensor without Transmission Control Module (TCM) EAHDK-4497



Item	Part Number	Industry Number	Description	Qty	Notes
	EAHDK-4497	K-4497	MTM Kit – w/Temp Sensor (w/o TCM)	1	

Main Housing Service Kits

Linear Clutch Actuator (LCA) Reman Kit EAHDK-4357R



Item	Part Number	Industry Number	Description	Qty	Notes
	EAHDK-4357R	K-4357R	Linear Clutch Actuator Reman Kit	1	

Main Housing Service Kits

Linear Clutch Actuator (LCA) Reman Kit Individual Components EAHDK-4357R

MTM Cap Hex Screw, FLG HD (M10 x 1.5 x 35)
EAHD10001179



Item	Part Number	Industry Number	Description	Qty	Notes
1	EAHD10001179	10001179	MTM Cap Hex Screw, FLG HD (M10 x 1.5 x 35)	20	

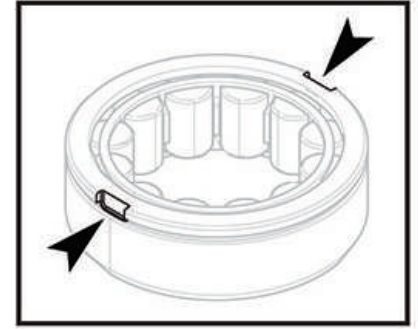
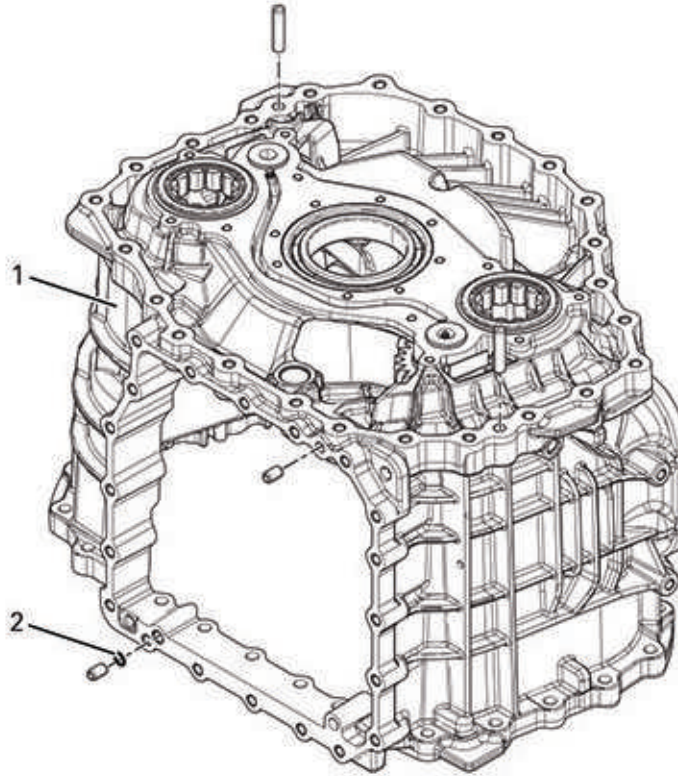
MTM Cap Splitter Screw (M10 x 1.5 x 38 and M8 x 1.25 x 13)
EAHD10001815



Item	Part Number	Industry Number	Description	Qty	Notes
1	EAHD10001815	10001815	MTM Cap Splitter Screw (M10 x 1.5 x 38 & M8 x 1.25 x 13)	4	

Main Housing Service Kits

Main Housing Kit K-4646 (NSS)



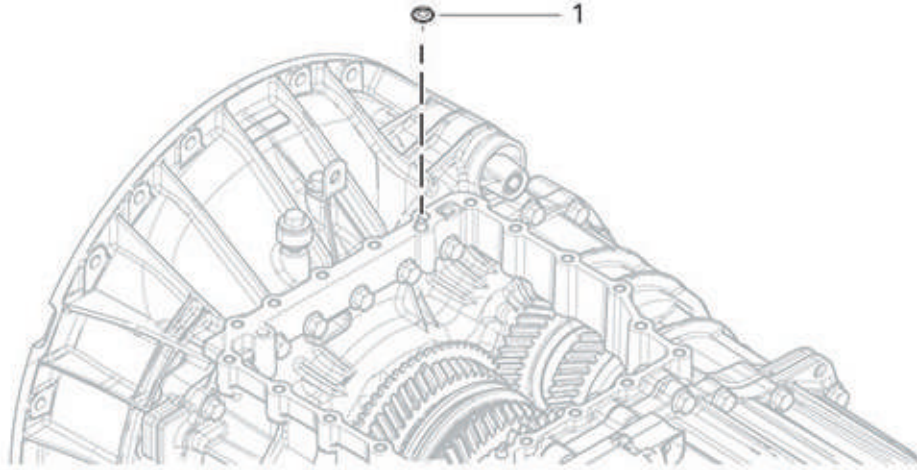
NSS = Not Sold Separately

Item	Part Number	Industry Number	Description	Qty	Notes
1	EAHDS-3251	S-3251	Case Assembly	1	
1.1	EAHD10000664	10000664	Gear, REV Idler	2	
1.2	EAHD10000665	10000665	Washer, Thrust, Rev Idler	4	
1.3	EAHD10000683	10000683	Bearing, Ball	1	
1.4	EAHD10001013	10001013	Bearing, Needle Roller	2	
1.5	EAHD10001118	10001118	Bushing (24MM)	1	
1.6	EAHD10001159	10001159	Dowel, Locate (10 x 16)	2	
1.7	EAHD10003492	10003492	Case	1	
1.8	EAHD10004571	10004571	Bearing, Roller	2	
1.9	14373	14373	Disc, MAGC	3	
1.10	EAHD5568511	5568511	O-Ring	2	
1.11	EAHD5575522	5575522	Pin, Dowel (10 x 45MM)	2	
1.12	EAHDA-10001193	A-10001193	Idler ASSY, Rev	2	
1.12a	EAHD10001035	10001035	Shaft, Idler	1	
1.12b	EAHD10001191	10001191	Pin, Spring (6 DIA x20)	1	
2	EAHD13653	13653	O-Ring	1	

Main Housing Service Kits

Main Housing Kit Individual Components K-4646 (NSS)

Inertia Brake MTM to Main Housing O-Ring EAHD13653

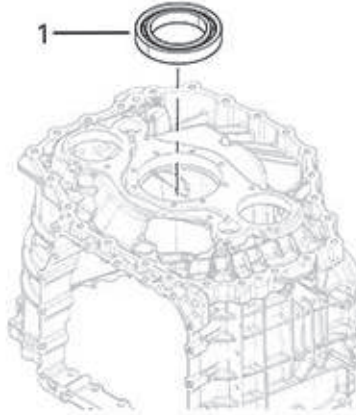


Item	Part Number	Industry Number	Description	Qty	Notes
1	EAHD13653	13653	O-Ring	1	

NSS = Not Sold Separately

Main Housing Service Kits

Main Shaft Bearing EAHD10000683



Item	Part Number	Industry Number	Description	Qty	Notes
1	EAHD10000683	10000683	Bearing, Ball	1	Included in EAHDS-3251

Counter Shaft Bearing O-Ring EAHD5568511

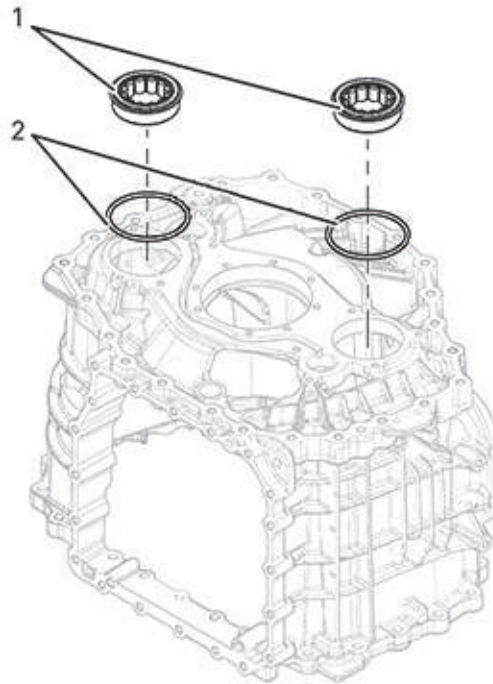
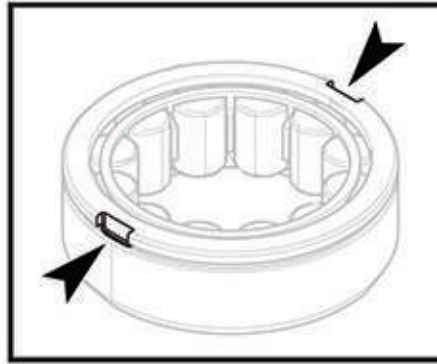


Item	Part Number	Industry Number	Description	Qty	Notes
1	EAHD5568511	5568511	Counter Shaft Bearing O-Ring	2	Included in EAHDS-3250, EAHDS-3251, EAHDK-4652, EAHDK-4399

Main Housing Service Kits

Counter Shaft Bearing Kit (Hard Lock Bearing Design)

EAHDK-4652



Item	Part Number	Industry Number	Description	Qty	Notes
1	EAHD10004571	10004571	Counter Shaft Bearing	2	
2	EAHD5568511	5568511	Counter Shaft Bearing O-Ring	2	

Main Housing Service Kits

Counter Shaft Bearing Kit (Hard Lock Bearing Design) Individual Components EAHDK-4652

Counter Shaft Bearing EAHD10004571



Item	Part Number	Industry Number	Description	Qty	Notes
1	EAHD10004571	10004571	Bearing, Countershaft	1	Included in EAHDS-3250, EAHDS-3251, EAHDK-4652

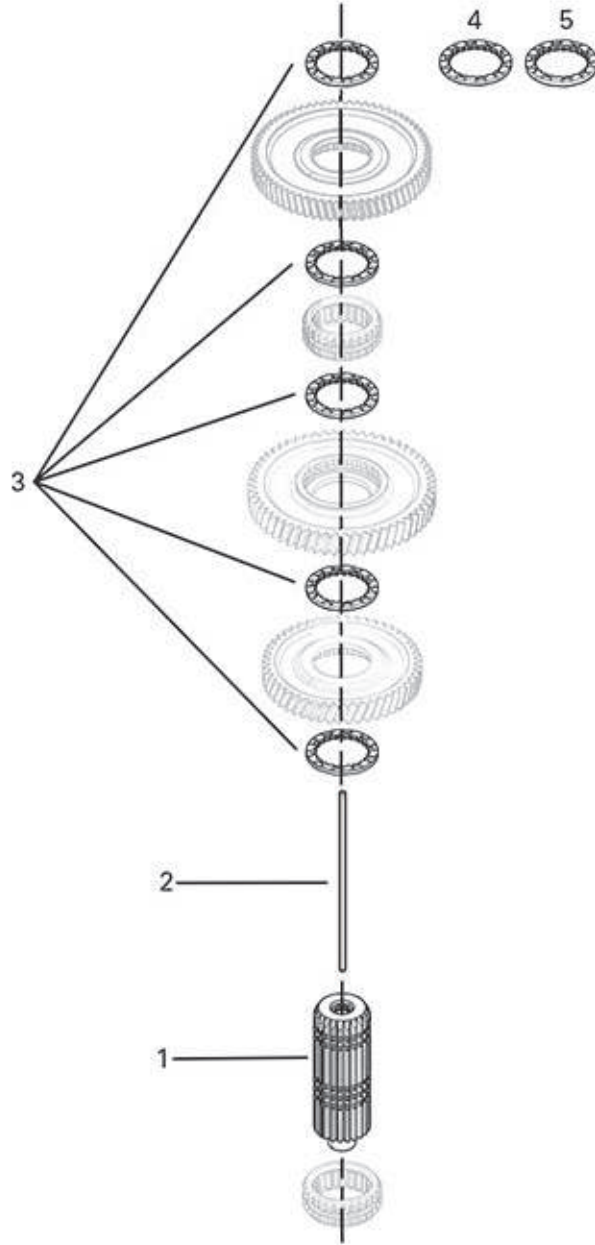
Counter Shaft Bearing O-Ring EAHD5568511



Item	Part Number	Industry Number	Description	Qty	Notes
2	EAHD5568511	5568511	Counter Shaft Bearing O-Ring	1	Included in EAHDS-3250, EAHDS-3251, EAHDK-4652

Main Housing Service Kits

Main Shaft Kit EAHDK-4366



Item	Part Number	Industry Number	Description	Qty	Notes
1	EAHDS-3221	S-3221	Main Shaft & Sleeve ASSY (NSS)	1	
1.1	EAHD10000605	10000605	Sleeve, Bearing	1	
1.2	EAHD10000606	10000606	Main Shaft	1	
1.3	EAHD10001438	10001438	Seal, U-Cup	1	
2	EAHD10000560	10000560	Main Shaft Key	1	
3	EAHD10000555	10000555	Main Shaft Gear Washer	5	
4	EAHD10001759	10001759	Main Shaft Gear Washer	1	
5	EAHD10001760	10001760	Main Shaft Gear Washer	1	



Distributed by **Capital Gear** | 780.487.1244 | sales@capitalgear.ca

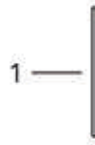
WE ARE YOUR ONE-STOP DRIVELINE SOURCE SOLUTION! | CAPITALGEAR.CA

All images © Eaton. Used with permission.

Main Housing Service Kits

Main Shaft Kit Individual Components EAHDK-4366

Main Shaft Key EAHD10000560



Item	Part Number	Industry Number	Description	Qty	Notes
1	EAHD10000560	10000560	Key, Main Shaft	1	Included in EAHDK-4366

Main Shaft Gear Washer EAHD10000555



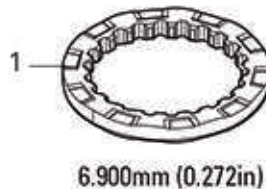
Item	Part Number	Industry Number	Description	Qty	Notes
1	EAHD10000555	10000555	Washer, Gear, Main Shaft	1	

Main Shaft Gear Washer EAHD10001759



Item	Part Number	Industry Number	Description	Qty	Notes
1	EAHD10001759	10001759	Washer, Gear, M/S	1	Included in EAHDK-4366

Main Shaft Gear Washer EAHD10001760



Item	Part Number	Industry Number	Description	Qty	Notes
1	EAHD10001760	10001760	Washer, Gear, M/S	1	Included in EAHDK-4366

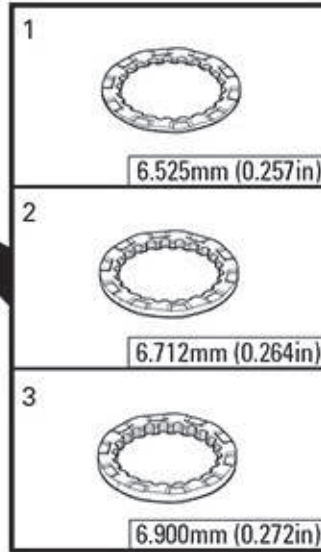


Distributed by **Capital Gear** | 780.487.1244 | sales@capitalgear.ca

WE ARE YOUR ONE-STOP DRIVELINE SOURCE SOLUTION! | CAPITALGEAR.CA

Main Housing Service Kits

Main Shaft Selective Washer Kit K-4486 (NSS)

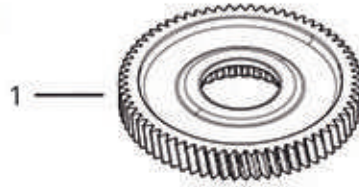


Item	Part Number	Industry Number	Description	Qty	Notes
1	EAHD10000555	10000555	Washer, Gear, Main shaft	1	
2	EAHD10001759	10001759	Washer, Gear, M/S	1	
3	EAHD10001760	10001760	Washer, Gear, M/S	1	

NSS = Not Sold Separately

Main Housing Service Kits

Main Shaft Gear (Reverse) EAHD10000556



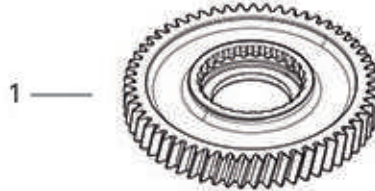
Item	Part Number	Industry Number	Description	Qty	Notes
1	EAHD10000556	10000556	Gear, Main Shaft (REV)	1	

Main Shaft Sliding Clutch EAHD10000557



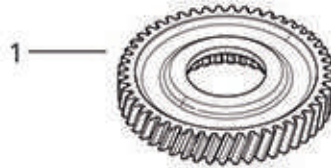
Item	Part Number	Industry Number	Description	Qty	Notes
1	EAHD10000557	10000557	Clutch, Sliding, M/S	2	

Main Shaft Gear (1st) EAHD10000898



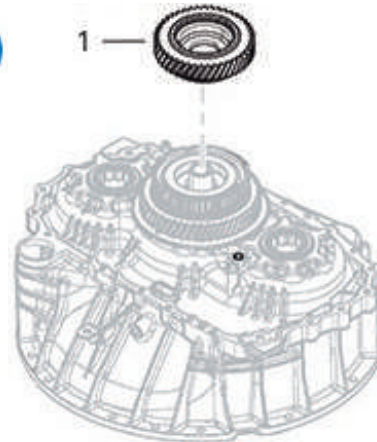
Item	Part Number	Industry Number	Description	Qty	Notes
1	EAHD10000898	10000898	Gear, Main Shaft (1st)	1	

Main Shaft Gear (2nd) EAHD10000899



Item	Part Number	Industry Number	Description	Qty	Notes
1	EAHD10000899	10000899	Gear, Main Shaft (2nd)	1	

Main Shaft Welded Gear Assembly (Splitter) EAHDS-3206



Item	Part Number	Industry Number	Description	Qty	Notes
1	EAHDS-3206	S-3206	Gear ASSY, M/S, Welded (SPLTR)	1	Included in EAHDK-4660, EAHDK-4659



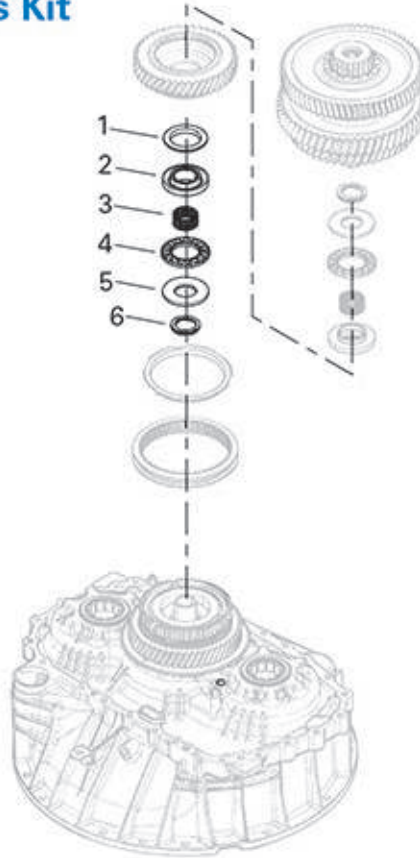
Distributed by **Capital Gear** | 780.487.1244 | sales@capitalgear.ca

WE ARE YOUR ONE-STOP DRIVELINE SOURCE SOLUTION! | CAPITALGEAR.CA

All images © Eaton. Used with permission.

Main Housing Service Kits

Drive Gear – Front Small Parts Kit EAHDK-4367



Item	Part Number	Industry Number	Description	Qty	Notes
1	EAHD10000545	10000545	Washer, Spherical	1	
2	EAHDS-3218	S-3218	Bearing Race ASSY - Front	1	
2.1	EAHD10000977	10000977	Snap Ring, Internal	1	
2.2	EAHD10001394	10001394	Race, Bearing	1	
3	EAHD10001006	10001006	Bearing, Needle Roller	1	
4	EAHD10001392	10001392	Bearing, Thrust, M/S	1	
5	EAHD10001393	10001393	Washer, Thrust BRG	1	
6	EAHD10001685	10001685	Spring, Wave	1	

Drive Gear – Front Small Parts Kit Individual Components EAHDK-4367

Wave Spring EAHD10001685



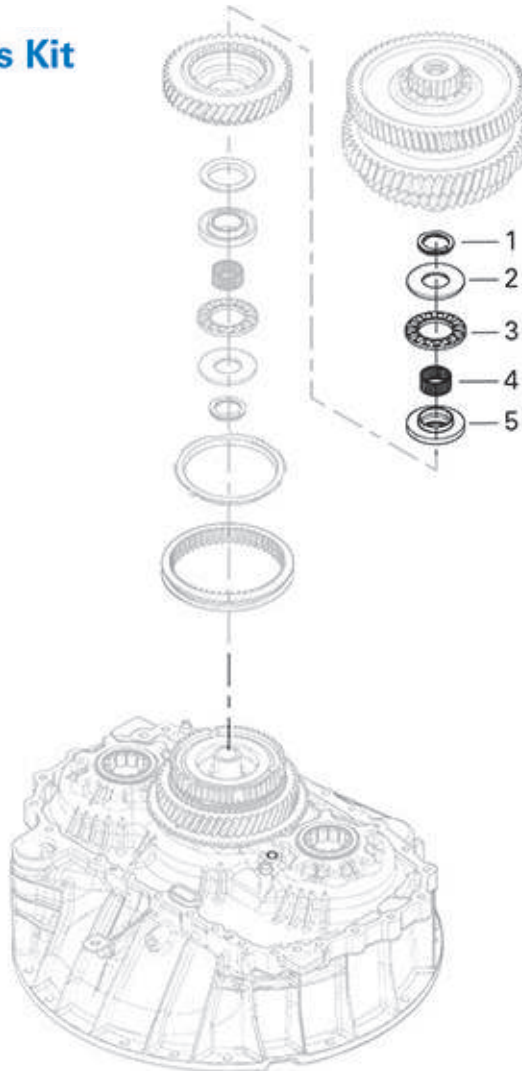
Item	Part Number	Industry Number	Description	Qty	Notes
1	EAHD10001685	10001685	Spring, Wave	1	



Distributed by **Capital Gear** | 780.487.1244 | sales@capitalgear.ca
WE ARE YOUR ONE-STOP DRIVELINE SOURCE SOLUTION! | CAPITALGEAR.CA

Main Housing Service Kits

Drive Gear – Rear Small Parts Kit K-4369 (NSS)



Item	Part Number	Industry Number	Description	Qty	Notes
1	EAHD10000978	10000978	Spring, Wave	1	
2	EAHD10001393	10001393	Washer, Thrust BRG	1	
3	EAHD10001392	10001392	Bearing, Thrust, M/S	1	
4	EAHD10001006	10001006	Bearing, Needle Roller	1	
5	EAHDS-3219	S-3219	Bearing Race ASSY – Rear	1	
5.1	EAHD10000977	10000977	Snap Ring, Internal	1	
5.2	EAHD10001395	10001395	Race, BRG	1	

NSS = Not Sold Separately

Drive Gear – Rear Small Parts Kit Individual Components K-4369

Rear Wave Spring EAHD10000978



Item	Part Number	Industry Number	Description	Qty	Notes
1	EAHD10000978	10000978	Spring, Wave	1	



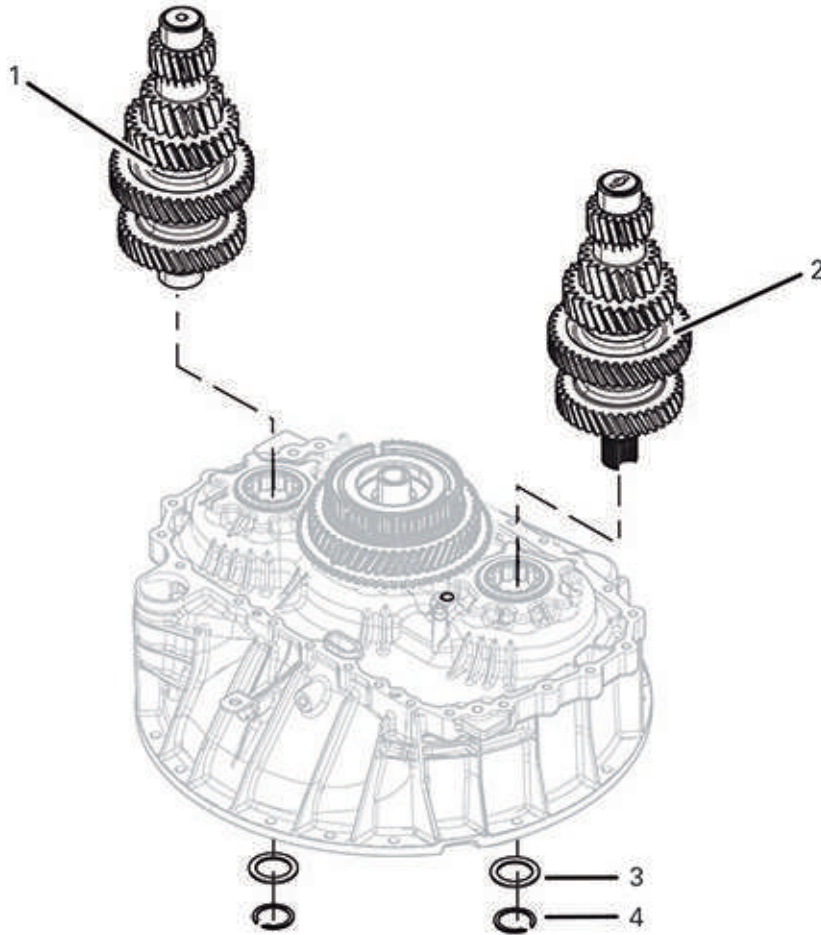
Distributed by **Capital Gear** | 780.487.1244 | sales@capitalgear.ca

WE ARE YOUR ONE-STOP DRIVELINE SOURCE SOLUTION! | CAPITALGEAR.CA

All images © Eaton. Used with permission.

Main Housing Service Kits

Upper & Lower Counter Shaft Kit – Single PTO K-4370 (NSS)



Item	Part Number	Industry Number	Description	Qty	Notes
1	EAHDS-3211	S-3211	Counter Shaft ASSY, Upper	1	
1.1	EAHD10000631	10000631	Snap Ring, External	1	
1.2	EAHD10001531	10001531	Race, Inner, FRT	1	
1.3	EAHD10001533	10001533	Race, Inner, Rear	1	
1.4	EAHDS-3272	A-10002603	Counter Shaft ASSY, Welded Upper	1	
2	EAHDS-3210	S-3210	Counter Shaft ASSY, Lower, Welded	1	
2.1	EAHD10000631	10000631	Snap Ring, External	1	
2.2	EAHD10001531	10001531	Race, Inner, FRT	1	
2.3	EAHD10001533	10001533	Race, Inner, Rear	1	
2.4	EAHDS-3271	A-10002602	Counter Shaft ASSY, Lower, Welded	1	
3	EAHD10001532	10001532	Washer, Thrust	2	
4	EAHD4302082	4302082	Snap Ring	2	

NSS = Not Sold Separately



Distributed by **Capital Gear** | 780.487.1244 | sales@capitalgear.ca

WE ARE YOUR ONE-STOP DRIVELINE SOURCE SOLUTION! | CAPITALGEAR.CA

All images © Eaton. Used with permission.

Main Housing Service Kits

Upper & Lower Counter Shaft Kit – Single PTO Individual Components K-4370

Upper Counter Shaft Assembly, Welded EAHDS-3272



Item	Part Number	Industry Number	Description	Qty	Notes
1	EAHDS-3272	A-10002603	Countershaft ASSY, Welded Upper	1	Included in EAHDS-3211

External Snap Ring EAHD10000631



Item	Part Number	Industry Number	Description	Qty	Notes
1	EAHD10000631	10000631	Snap Ring, External	1	Included in EAHDS-3210, EAHDS-3211

Front Inner Race EAHD10001531



Item	Part Number	Industry Number	Description	Qty	Notes
	EAHD10001531	10001531	Race, Inner, FRT	1	Included in EAHDS-3210, EAHDS-3211



Distributed by **Capital Gear** | 780.487.1244 | sales@capitalgear.ca
WE ARE YOUR ONE-STOP DRIVELINE SOURCE SOLUTION! | CAPITALGEAR.CA

Main Housing Service Kits

Upper & Lower Counter Shaft Kit – Single PTO Individual Components *K-4370 continued*

Rear Inner Race EAHD10001533



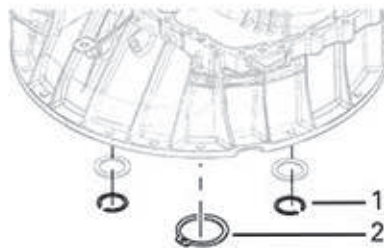
Item	Part Number	Industry Number	Description	Qty	Notes
	EAHD10001533	10001533	Race, INNER, Rear	1	Included in EAHDS-3210, EAHDS-3211

Lower Counter Shaft Assembly, Welded EAHDS-3271



Item	Part Number	Industry Number	Description	Qty	Notes
1	EAHDS-3271	A-10002602	Countershaft ASSY, Lower, Welded	1	Included in EAHDS-3210

Snap Ring K-4359 (NSS)



Item	Part Number	Industry Number	Description	Qty	Notes
1	EAHD4302082	4302082	Countershaft Snap Ring	2	Included in EAHDK-4653, K-4370, K-4359
2	EAHD10000624	10000624	Input Shaft Snap Ring	1	

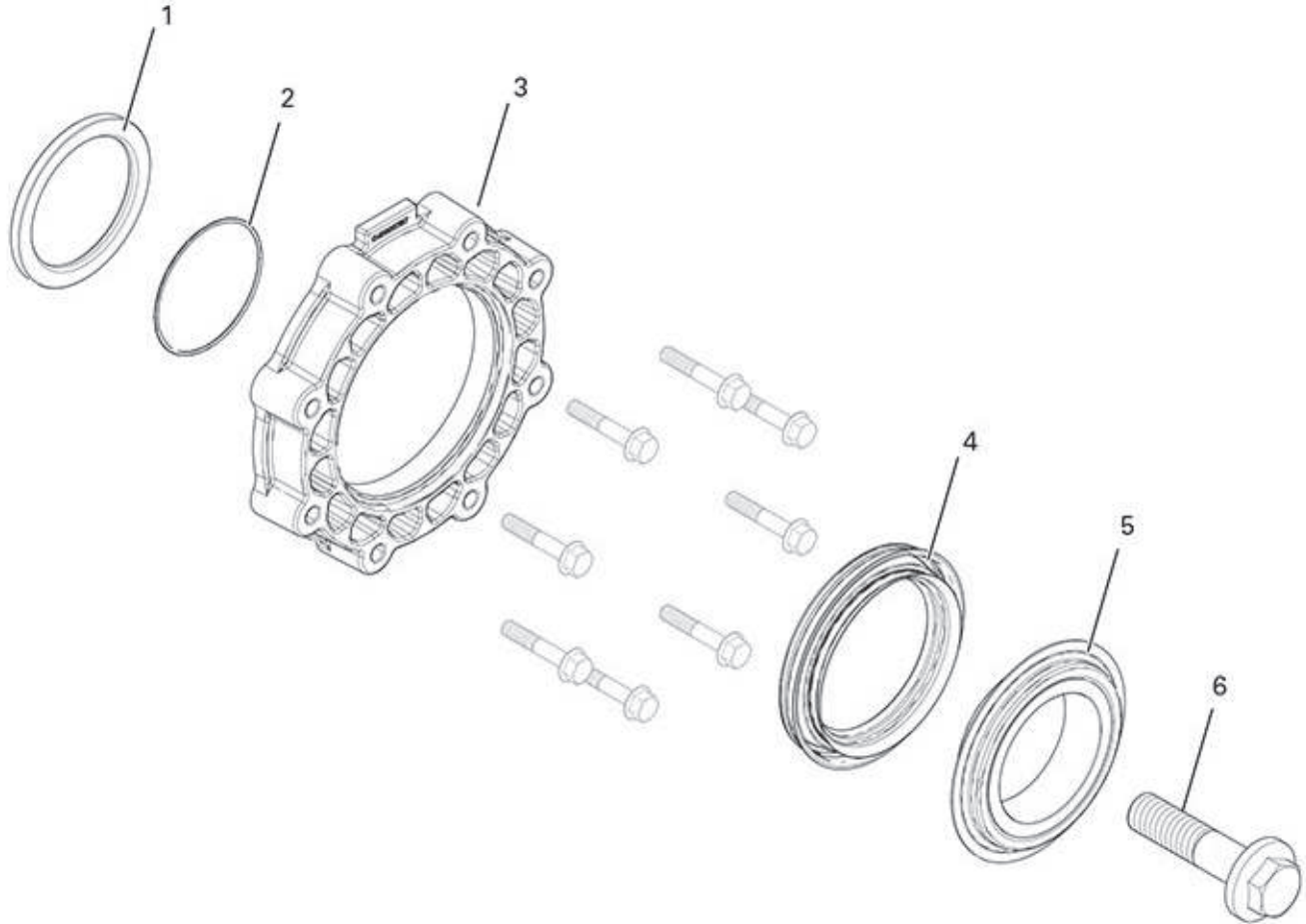


Distributed by **Capital Gear** | 780.487.1244 | sales@capitalgear.ca

WE ARE YOUR ONE-STOP DRIVELINE SOURCE SOLUTION! | CAPITALGEAR.CA

Rear Housing Service Kits and Parts

Rear Bearing Cover/Output Seal Kit EAHDK-4399



Item	Part Number	Industry Number	Description	Qty	Notes
1	EAHD10001089	10001089	Washer, Thrust	1	
2	EAHD5568511	5568511	O-Ring	1	
3	EAHD10000798	10000798	Cover, BRG, Rear	1	
4	4302322	4302322	Seal, Oil	1	
5	EAHDS-3201	S-3201	Seal Hub ASSY	1	
5.1	EAHD10000584	10000584	Hub, Seal, Output	1	
5.2	EAHD4302323	4302323	Slinger	1	
6	10000949	10000949	Screw, HEX FLG HD (M20 x1.5 x 80)	1	

Rear Housing Service Kits and Parts

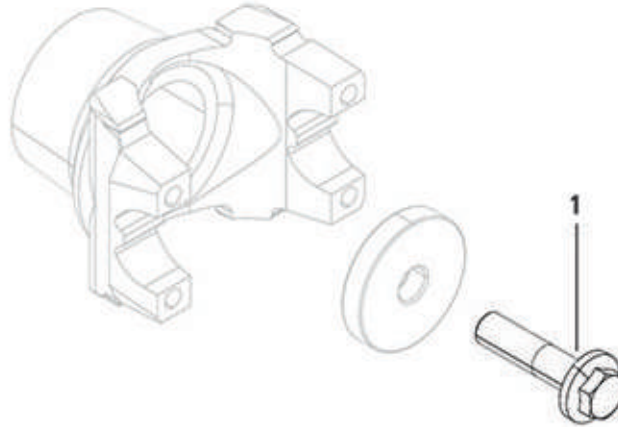
Rear Bearing Cover/Output Seal Kit Individual Components EAHDK-4399

Counter Shaft Bearing O-Ring EAHD5568511



Item	Part Number	Industry Number	Description	Qty	Notes
2	EAHD5568511	5568511	Counter Shaft Bearing O-Ring	1	Included in EAHDS-3250, EAHDS-3251, EAHDK-4652

Output Yoke Retainer Bolt, FLG HD (M20 x 1.5 x 80) 10000949

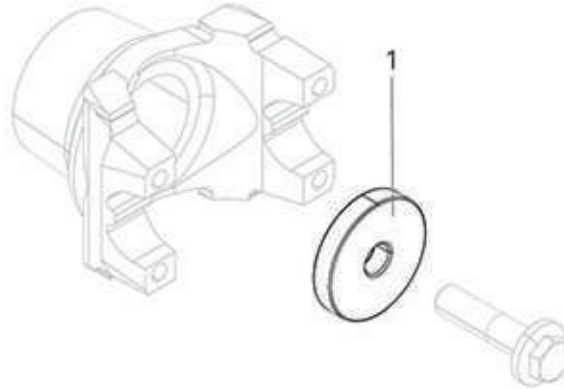


Item	Part Number	Industry Number	Description	Qty	Notes
1	10000949	10000949	Bolt, Hex FLG HD (M20 x 1.5 x 80)	1	Included in EAHDK-4399

Rear Housing Service Kits and Parts

Output Yoke Retainer Plate

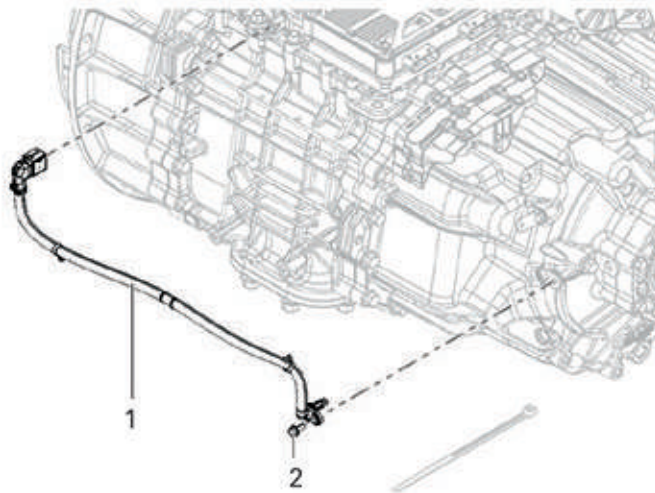
EAHD10000950



Item	Part Number	Industry Number	Description	Qty	Notes
1	EAHD10000950	10000950	Plate, Retainer	1	

Output Speed Sensor Kit

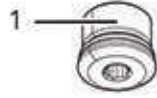
EAHDK-4381



Item	Part Number	Industry Number	Description	Qty	Notes
1	EAHD10001792	10001792	Sensor ASSY, Speed, Output	1	
2	EAHDX-8-0625M	X-8-0625M	Screw, HEX FLG HD (M6 x 1.0 x 16)	1	
	5559348	5559348	TY-RAP	2	

Rear Housing Service Kits and Parts

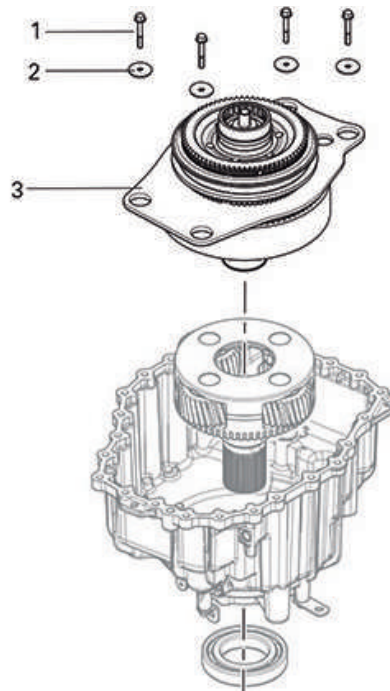
Zero Leak Plug (M18x1.5) EAHD4308230



Item	Part Number	Industry Number	Description	Qty	Notes
1	EAHD4308230	4308230	Plug, Zero Leak	1	

Rear Housing Service Kits and Parts

Range Synchronizer Reman Kit K-4499R (NSS)



NSS = Not Sold Separately

Item	Part Number	Industry Number	Description	Qty	Notes
1	EAHD10001167	10001167	Screw, HEX FLG HD (M8 x 1.25 x 55)	4	
2	EAHD10001168	10001168	Washer, M8	4	
3	EAHDS-3222	S-3222	Synchro ASSY, Planetary	1	
3.1	EAHD10000571	10000571	Ring Gear (Annulus), Planetary	1	
3.2	EAHD10000572	10000572	TIE Plate, Annulus	1	
3.3	EAHD10000578	10000578	Flange, SYNC, Range, Low	1	
3.4	EAHD10000580	10000580	Sleeve, SLDG, SYNC, Planetary	1	
3.5	EAHD10000644	10000644	Snap Ring	1	
3.6	EAHD10000705	10000705	Tube, Lube, M/S	1	
3.7	EAHD10000906	10000906	Snap Ring	1	
3.8	EAHD10000926	10000926	Synchro Ring (Cone 178.0)	1	
3.9	EAHD10000929	10000929	Restrictor, Oil	1	
3.10	EAHD10001562	10001562	Snap Ring, External	1	
3.11	EAHD10001710	10001710	Spring, Comp	6	
3.12	EAHD10001711	10001711	Plunger, Synchro	6	
3.13	EAHD10003266	10003266	Plate, Reaction	1	
3.14	EAHDX8870355	X8870355	Roller, Synchro	6	
3.15		A-10001523	Sun Gear & SYNC Hub ASSY (NSS)	1	
3.15a	EAHD10000926	10000926	Synchro Ring (Cone 178.0)	1	
3.15b	EAHD10001468	10001468	Shaft, Sun Gear	1	
3.15c	EAHD10001841	10001841	Snap Ring, External	1	
3.15d		A-10001522	Hub ASSY, Synchro, Range (NSS)	1	
3.15d1	EAHD10000574	10000574	Hub, Fixed, Range Synchro	1	
3.15d2	EAHD10000581	10000581	Bearing, Ball	1	
3.15d3	EAHD10001812	10001812	Snap Ring, Internal	1	

Rear Housing Service Kits and Parts

Range Synchronizer Reman Kit Individual Components K-4499R

Low Range Synchronizer Flange EAHD10000578



Item	Part Number	Industry Number	Description	Qty	Notes
1	EAHD10000578	10000578	Flange, Sync, Range, Low	1	Included in EAHDS-3222

Synchronizer Ring (Cone 178.0) EAHD10000926



Item	Part Number	Industry Number	Description	Qty	Notes
1	EAHD10000926	10000926	Synchro Ring (Cone 178.0)	1	Included in EAHDS-3222

Oil Restrictor EAHD10000929



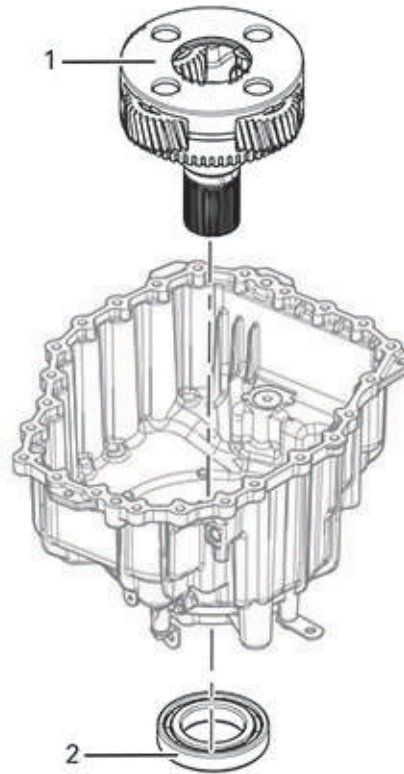
Item	Part Number	Industry Number	Description	Qty	Notes
1	EAHD10000929	10000929	Restrictor, Oil	1	Included in EAHDS-3222



Distributed by **Capital Gear** | 780.487.1244 | sales@capitalgear.ca
WE ARE YOUR ONE-STOP DRIVELINE SOURCE SOLUTION! | CAPITALGEAR.CA

Rear Housing Service Kits and Parts

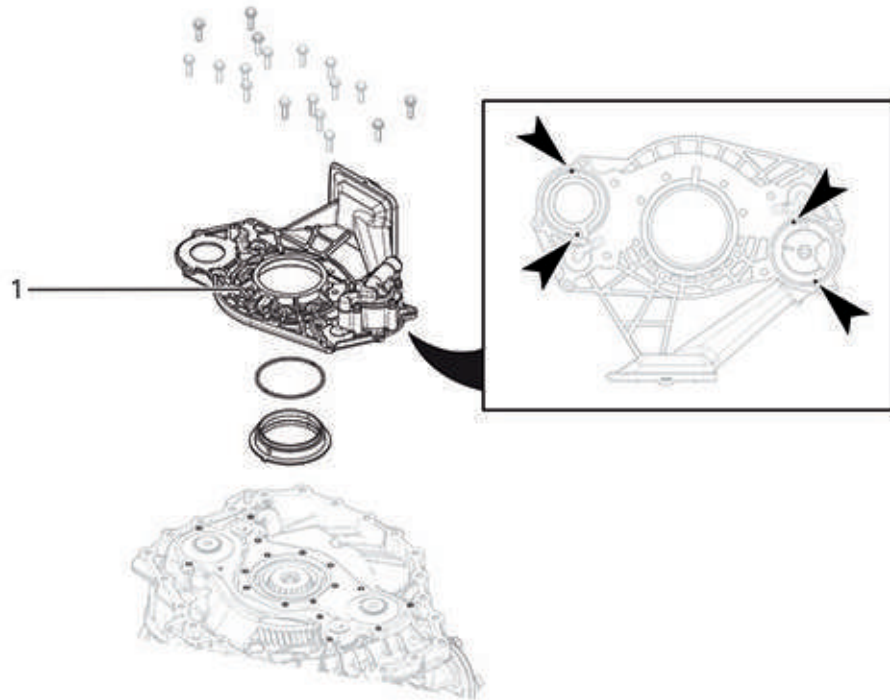
Range Carrier Output Shaft Kit EAHDK-4378



Item	Part Number	Industry Number	Description	Qty	Notes
1	EAHDS-3217	S-3217	Carrier ASSY	1	
1.1	EAHD10000567	10000567	Gear, Planetary	4	
1.2	EAHD10000569	10000569	Pin, Planetary	4	
1.3	EAHD10000570	10000570	Bearing, Needle, Double Row	4	
1.4	EAHD10000594	10000594	Bearing, Needle, Roller	1	
1.5	EAHD10000628	10000628	Washer, Thrust	1	
1.6	EAHD10001387	10001387	Washer, Thrust, Gear	8	
1.7	EAHD3312432	3312432	RET. Ring	4	
1.8	EAHDA-10000566	A-10000566	Carrier ASSY, Planetary, Weldment	1	
2	EAHD10000592	10000592	Bearing, Ball	1	

Rear Housing Service Kits and Parts

Pump Assembly EAHDA-10004577



Item	Part Number	Industry Number	Description	Qty	Notes
1	EAHDA-10004577	A-10004577	Pump Assembly	1	

Pump Assembly Individual Components EAHDA-10004577

O-Ring EAHD10001065



Item	Part Number	Industry Number	Description	Qty	Notes
1	EAHD10001065	10001065	O-Ring	1	

Part Number Identification

Transmission Service Unit, Reman or Complete

Use the chart below to identify the full transmission unit. Verify OEM- Engine to determine the correct transmission service unit part number.

Model	OEM	Engine	PTO	Input Shaft		Part No. (Full Assy)	Description	
				Part No.	Industry Part No.			
EEO-18F112C	All OEMs	Cummins 12N / CNG / L-9 / PX-9	Dual		A-10003441	TN-H04-32R	REMAN TRANS W/O TCM and MTM	
		Cummins ISX12N CNG / L-9 / PX-9	Single		A-10003441	TN-H04-31R		
		Cummins X15N CNG	Single	EAHDA-10001529	A-10001529	TN-H04-12R		
	Freightliner	Cummins		Dual		A-10003441	TA-H04-32X	EXCH TRANS W/O TCM
				Single		A-10003441	TA-H04-31X	
		Detroit		Dual		A-10003878	TA-H04-35X	
				Single		A-10003878	TA-H04-34X	
	International	Cummins / A26		Single	EAHDA-10001529	A-10001529	TA-H04-12X	EXCH TRANS W/O TCM
				Dual	EAHDA-10001529	A-10001529	TA-H04-26X	
	Kenworth	Cummins		Dual	EAHDA-10001529	A-10001529	TA-H04-26X	EXCH TRANS W/O TCM
				Single	EAHDA-10001529	A-10001529	TA-H04-12X	
	Paccar	MX		Dual	EAHDA-10001529	A-10001529	TA-H04-26X	EXCH TRANS W/O TCM
				Single	EAHDA-10001529	A-10001529	TA-H04-12X	
				Dual	EAHDA-10001529	A-10001529	TN-H04-26R	REMAN TRANS W/O TCM and MTM
	Peterbilt	Cummins		Dual	EAHDA-10001529	A-10001529	TA-H04-26X	EXCH TRANS W/O TCM
				Single	EAHDA-10001529	A-10001529	TA-H04-12X	
	Volvo	Cummins		Dual		A-10003441	TA-H04-32X	EXCH TRANS W/O TCM
				Single		A-10003441	TA-H04-31X	
	Western Star	Cummins		Dual		A-10003441	TA-H04-32X	EXCH TRANS W/O TCM
				Single		A-10003441	TA-H04-31X	
Detroit			Dual		A-10003878	TN-H04-35R	REMAN TRANS W/O TCM and MTM	
			Single		A-10003878	TN-H04-34R		
EE-17F111B	International	Cummins / A26	Single	EAHDA-10001529	A-10001529	TA-H10-27X	EXCH TRANS W/O TCM	



Distribution Centers

- | | | | | | |
|--------------------------------------|------------------------------------|------------------------------|-----------------------------|-----------------------------|---------------------------|
| Coquitlam
British Columbia | Mount Pearl
Newfoundland | Quebec City
Quebec | Winnipeg
Manitoba | Kenosha
Wisconsin | Portland
Oregon |
|--------------------------------------|------------------------------------|------------------------------|-----------------------------|-----------------------------|---------------------------|

Remanufacturing & Distribution Centers

- | | | | |
|----------------------------|---|---|---------------------------------|
| Edmonton
Alberta | Mississauga
Ontario
- Steering - | Mississauga
Ontario
- Powertrain - | Moncton
New Brunswick |
|----------------------------|---|---|---------------------------------|

WE ARE YOUR ONE-STOP DRIVELINE SOURCE SOLUTION! | CAPITALGEAR.CA

Roadranger: Eaton and trusted partners providing the best products and services in the industry, ensuring more time on the road.

Note: Features and specifications listed in this document are subject to change without notice and represent the maximum capabilities of the software and products with all options installed. Although every attempt has been made to ensure the accuracy of information contained within, Eaton makes no representation about the completeness, correctness or accuracy and assumes no responsibility for any errors or omissions. Features and functionality may vary depending on selected options.

Eaton, Roadranger, Fuller, UltraShift, Fuller Advantage, Solo, Advantage Self-Adjust and Easy Pedal Advantage are registered trademarks of Eaton. All trademarks, logos and copyrights are those of their respective owners.